
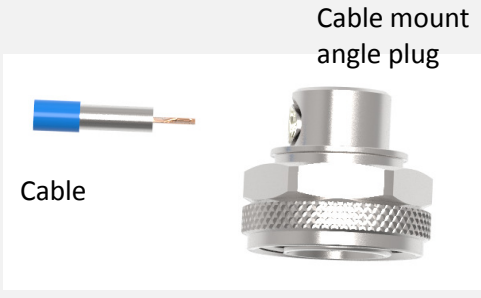



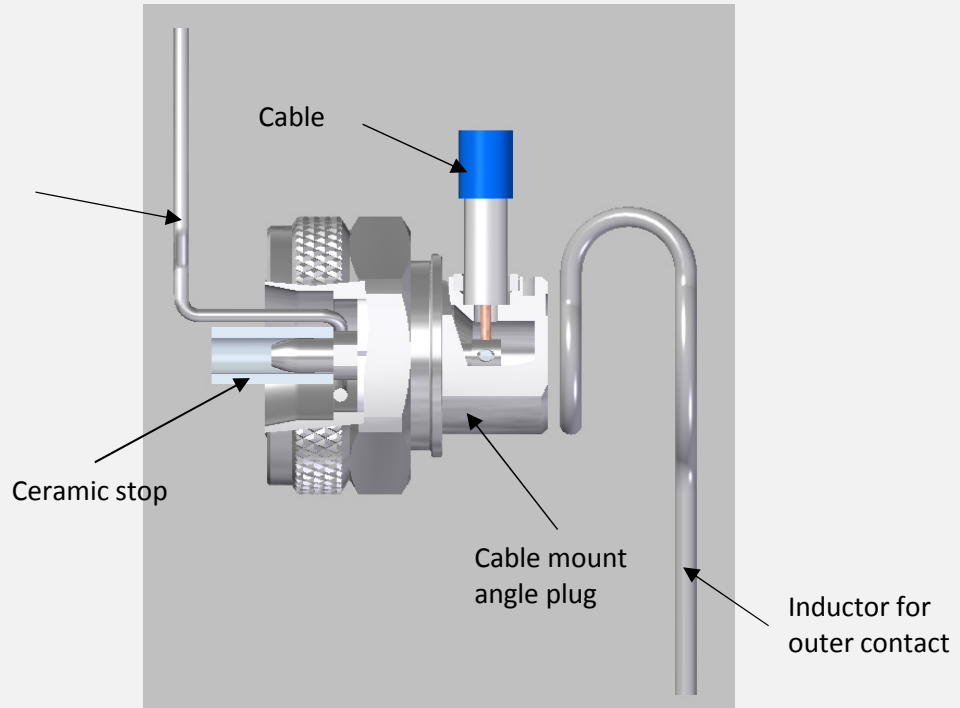
Customer Assembly Instruction

Number:	M-264	Nummer:
Description:	4.3-10-Cable mount angle plug	Beschreibung:
		

Recommended Soldering Process

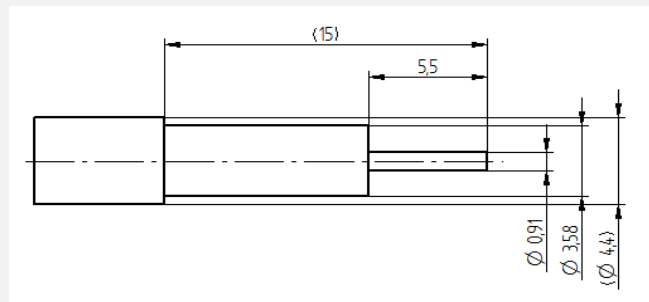
Inductive soldering

Inductor for inner contact



Cable Stripping Dimension

Cable: RG 402 /U



Customer Assembly Instruction

Seite / Page
2 / 2

Number:

M-264

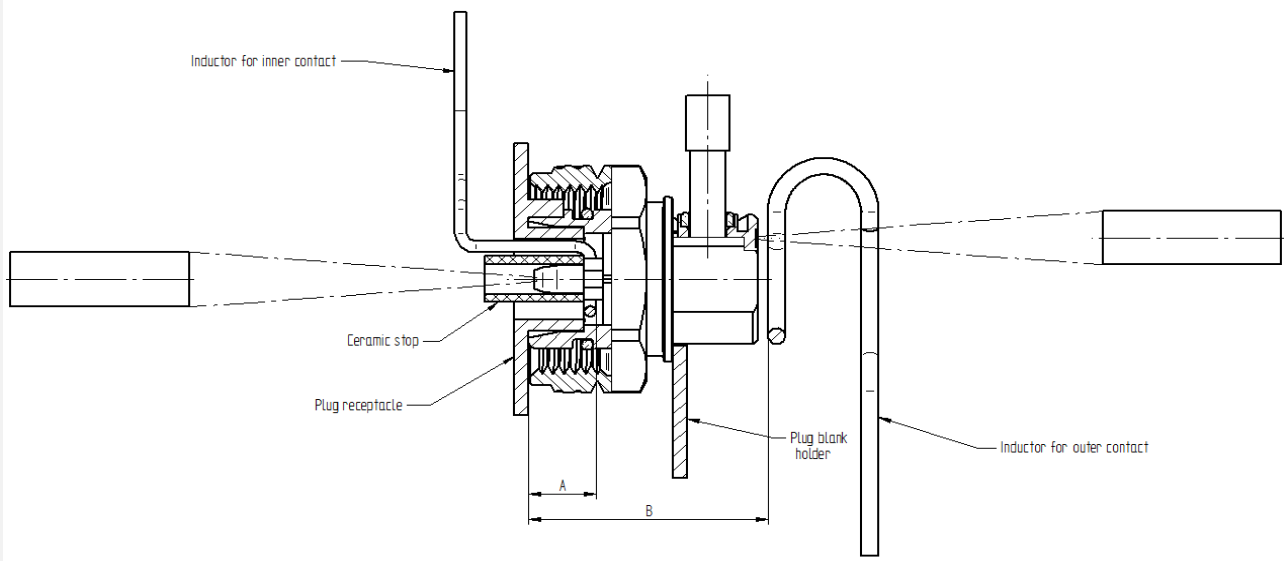
Nummer:

Description:

4.3-10-Cable mount angle plug

Beschreibung:

Soldering Set-up recommended



Inductor position:

Dimension A: 6,8mm

Dimension B: 24,1mm

Soldering Parameter acc. customer

Notes

Aufzeichnungen

While the information has been carefully compiled to the best of our knowledge, nothing is intended as representation or warranty on our part and no statement herein shall be construed as recommendation to infringe existing patents. In the effort to improve our products, we reserve the right to make changes judged to be necessary.

Rev.: 3	Date: 03.12.2014	Signature: R.Schwär	Alteration: Modification	Approved:
------------	---------------------	------------------------	-----------------------------	-----------