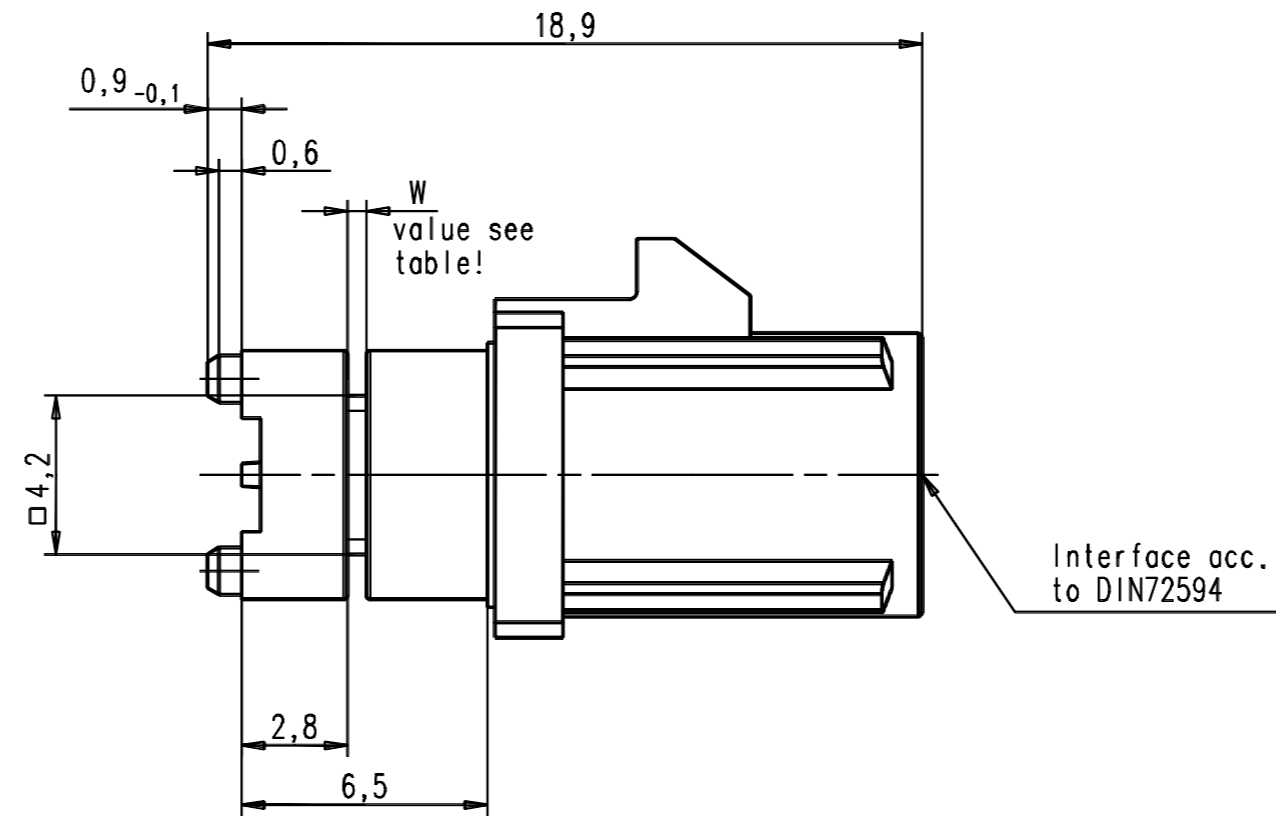
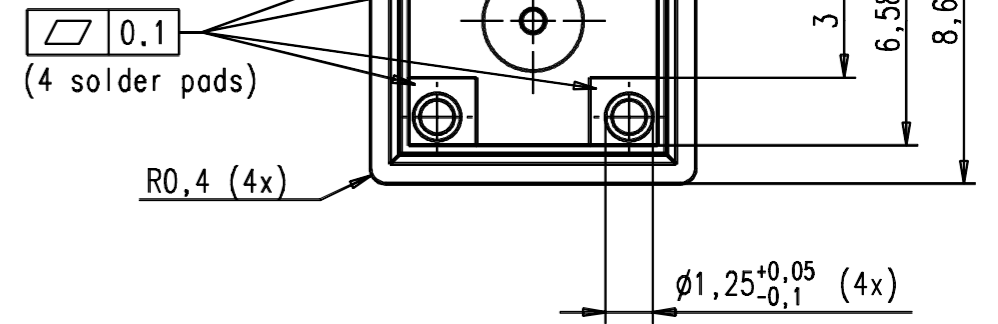


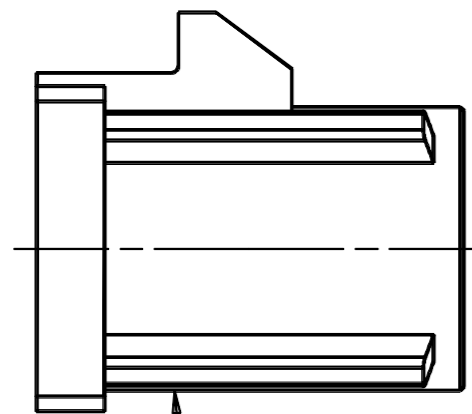
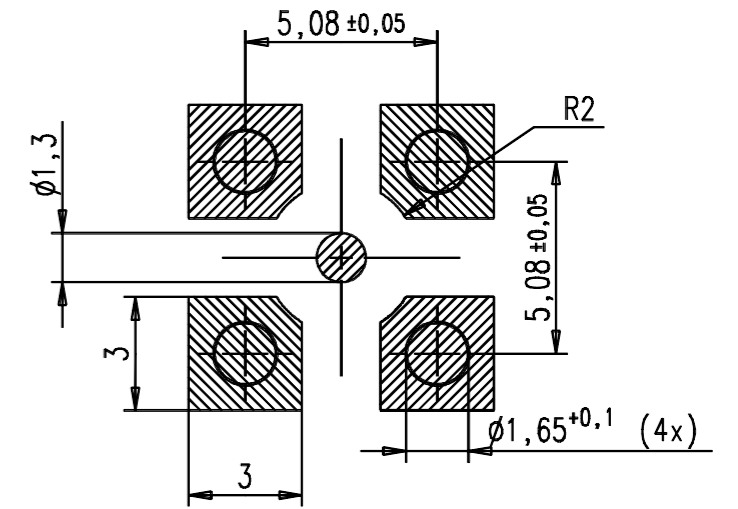
Ordering no.: 3849.SMBA.1010.00Z.99



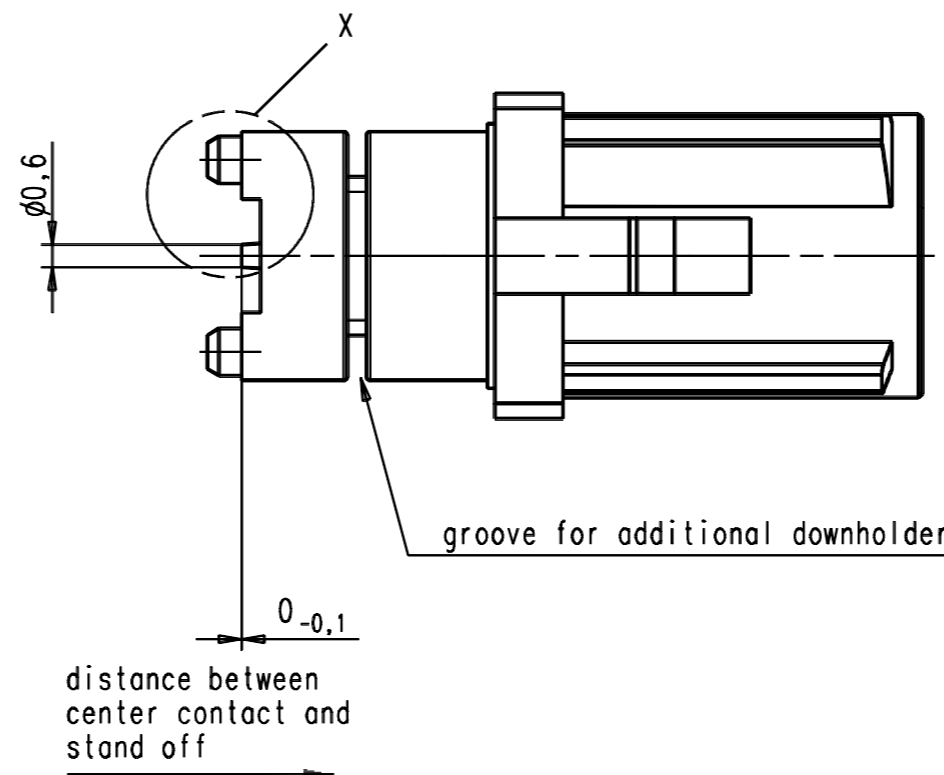
Interface acc. to DIN72594



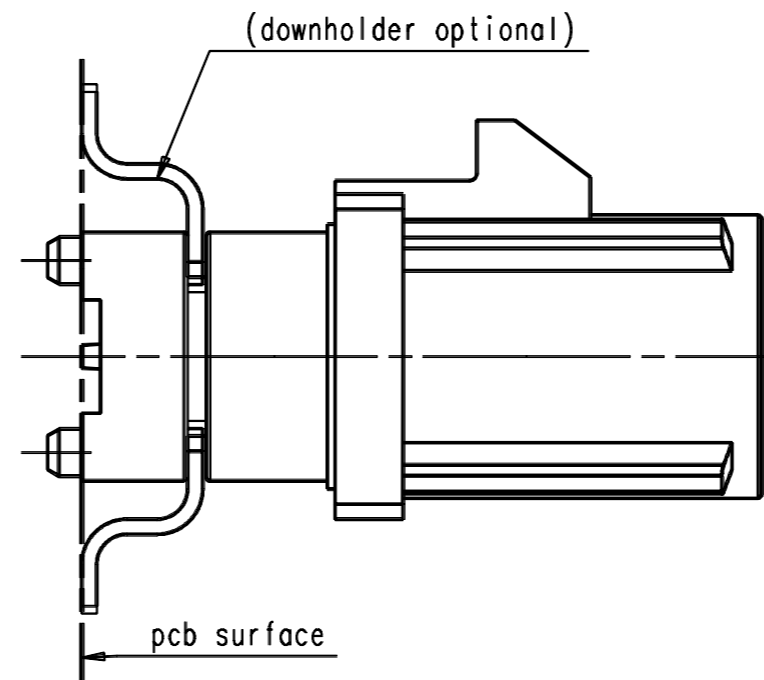
proposal PCB-layout and drilling template:



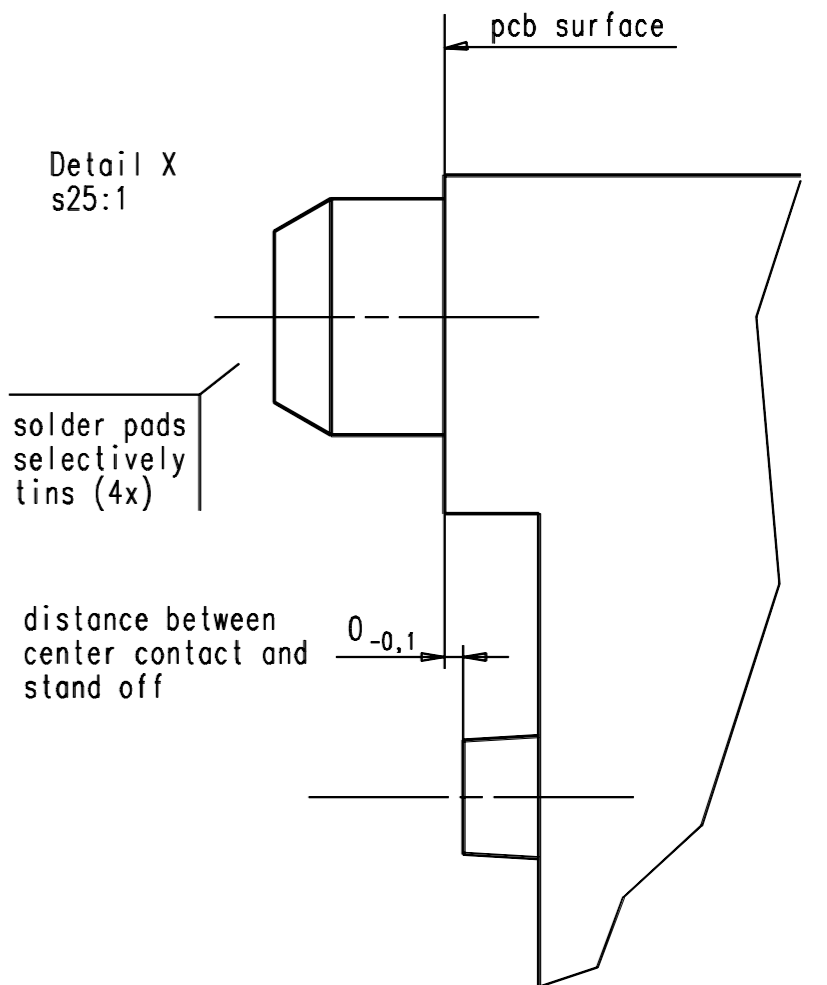
Ordering no.: 3308.SMBA.1X10.000.98



distance between center contact and stand off



(downholder optional)



Variable X, Y and Z have to be stated within the drawing number when a order is placed.

Variable X= Coding

coding X=	A	B	C	D
front view				
colour	deep black	cream white	signal blue	bordeaux violet
coding X=	E	F	G	H
front view				
colour	leaf green	nut brown	blue grey	heather violet
coding X=	I	K	L	M
front view				
colour	beige	curry yellow	carmine red	pastel orange
coding X=	N			
front view				
colour	pastel green			

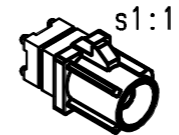
Variable W = wide

Variable W	value
W <sub>5</sub>	0,5 <sup>+0,1</sup>
W <sub>6</sub>	0,6 <sup>+0,1</sup>
W <sub>7</sub>	0,7 <sup>+0,1</sup>
W <sub>8</sub>	0,8 <sup>+0,1</sup>

Variable Z= Plating

Part	Material	Variable Z =		
		1	5	9
Plastic Housing	PA 4.6			
Centre Contact	Brass	Au	Au	Au
Outer Contact	diecast	Au	white bronze	Ni
Insulator	sPS			

Packing: Tape & Reel



		general tolerance ISO 2768	ISO 2768 -m- 0,5-3: ±0,1 3-6: ±0,1 6-30: ±0,2	scale: 5:1	Assembly instruction: M-176 Stripping dimension:
		date	name	generate 06.07.04	
design c		Tabelle Nutbreite	13.05.05	Glatz	 
design b		Tabelle Nutbreite	15.03.05	Glatz	
design a		Beinchen	22.07.04	Glatz	
nr.	rev.	alteration	date	name	 
					3849.SMBA.1X10.00Z
					Rev. C