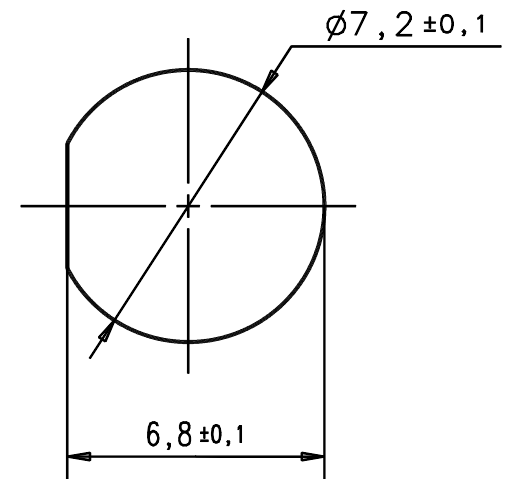
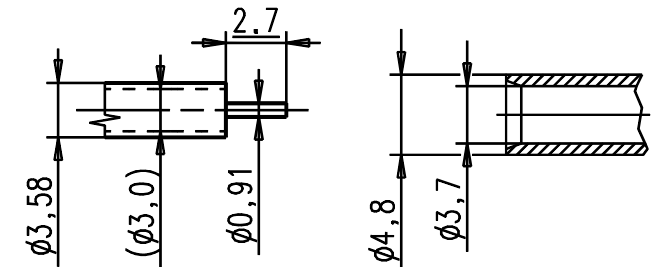


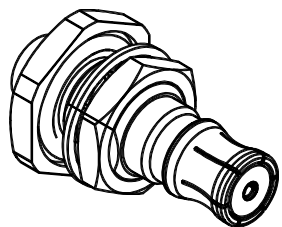
Montagedurchbruch /  
Panel cut out



Kabelzuschnitt / Stripping dimension  
Semi-Rigid UT 141



M/scale 2:1



					general tolerance		scale: <b>5:1</b>	
					ISO 2768		Assembly instruction: M187	
		mH		Stripping dimension: K				
EC_070_06	c	Revised housing	21.04.06	RSc	date	name		
EC_194_05	b	Revised housing	27.07.05	RSc	generate	30.11.04 Schwaer		
Design	a	Measure addition	21.01.05	RSc	checked			
					Norm			
					44572			
3903.QLS.2812.07'						Rev. c		
nr.	rev.	alteration	date	name				

**Kabelbuchse**  
**Cable mount jack**