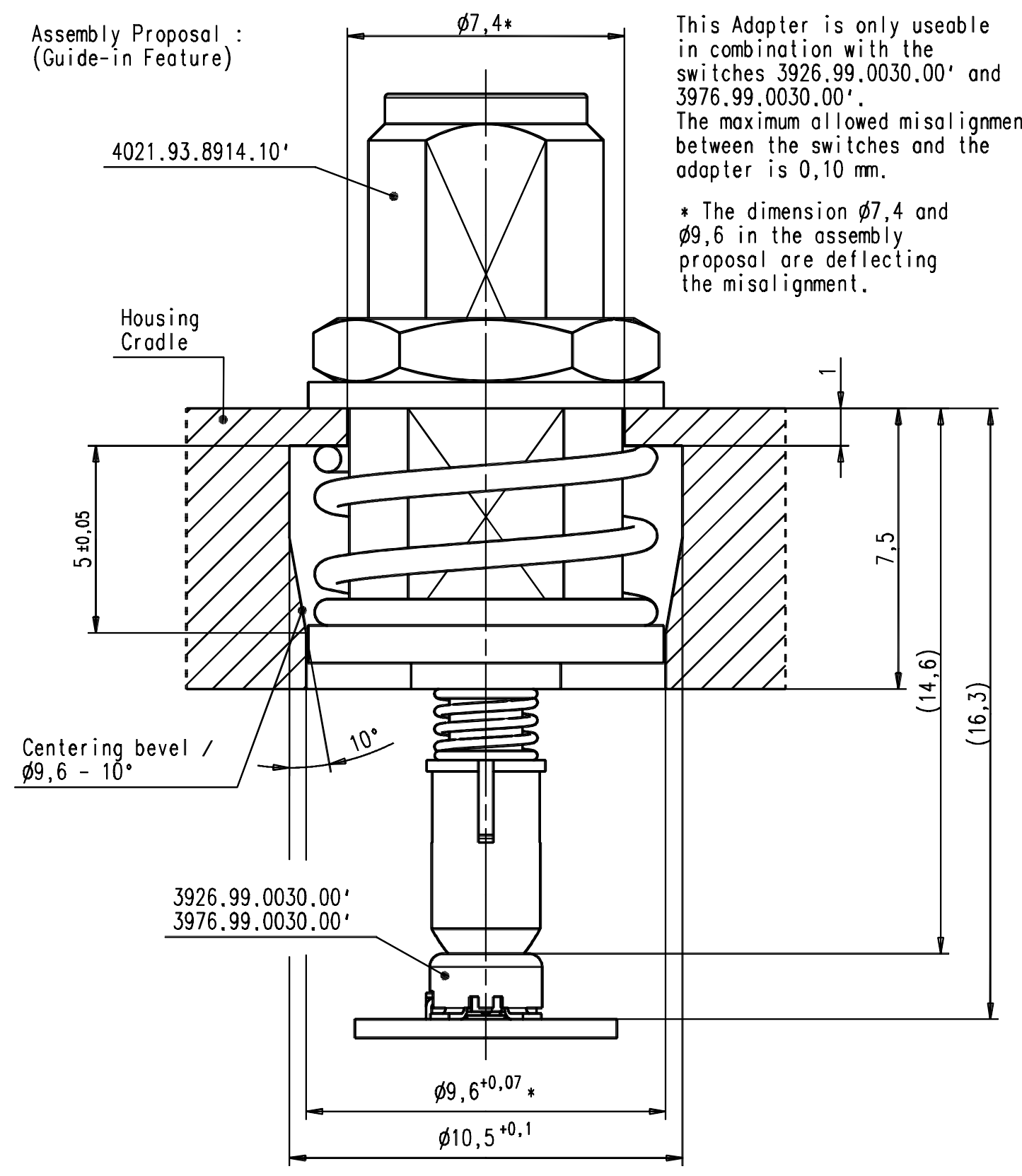


Assembly Proposal :
(Guide-in Feature)



This Adapter is only useable in combination with the switches 3926.99.0030.00' and 3976.99.0030.00'.
 The maximum allowed misalignment between the switches and the adapter is 0,10 mm.
 * The dimension $\phi 7,4$ and $\phi 9,6$ in the assembly proposal are deflecting the misalignment.

		general tolerance	ISO 2768 -m	scale: 7:1
		ISO 2768	0,5-3: ±0,1 3-6: ±0,1 6-30: ±0,2	Assembly instruction: Stripping dimension:
design	b	revised	16.03.06	ze
design	a	revised	10.01.06	ze
nr.	rev.	alteration	date	name
		generate	03.11.05	Zech
		checked		
		Norm		
		46355		
				Adapter Adapter
				4021.93.8914.10'
				Rev. b