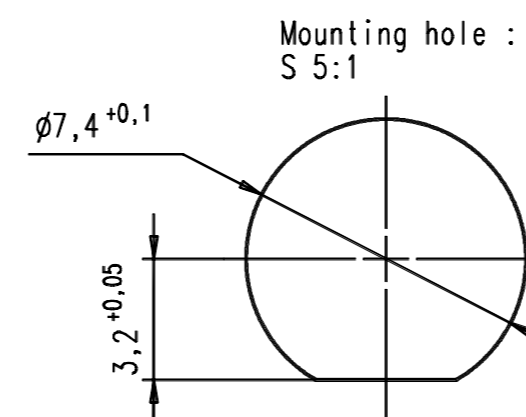
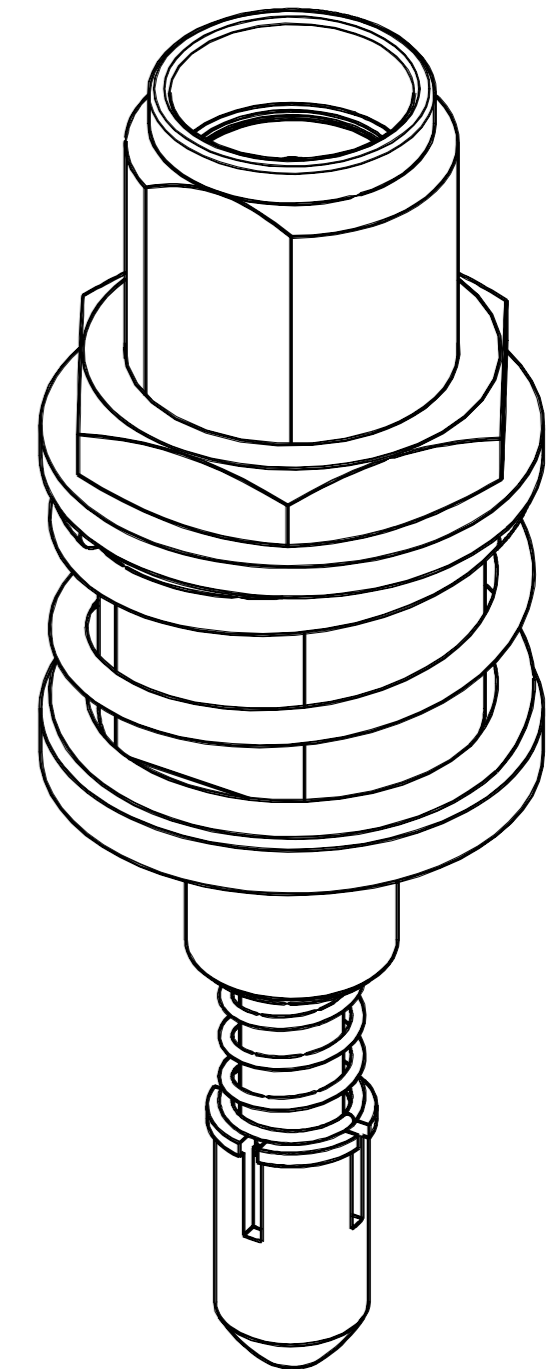


This Adapter is only useable in combination with the switches 3926.99.0030.00' and 3976.99.0030.00'. The maximum allowed misalignment between the switches and the adapter is 0,10 mm.

* The dimension $\phi 7,4$ and $\phi 9,6$ in the assembly proposal are deflecting the misalignment.



Confidential Preliminary

IMS CONNECTOR SYSTEMS		general tolerance	ISO 2768	ISO 2768	scale: 7:1
		ISO 2768	0,5-3: $\pm 0,1$	3-6: $\pm 0,1$	6-30: $\pm 0,2$
		date	name	Assembly instruction:	
		generate	19.06.06	Zech	Adapter
		checked			Adapter
		Norm			
		47405			
nr.	rev.	alteration	date	name	4163.93.8914.10' Rev.