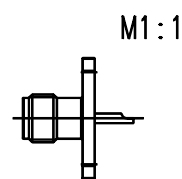
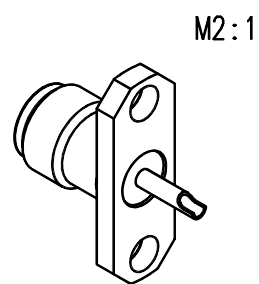
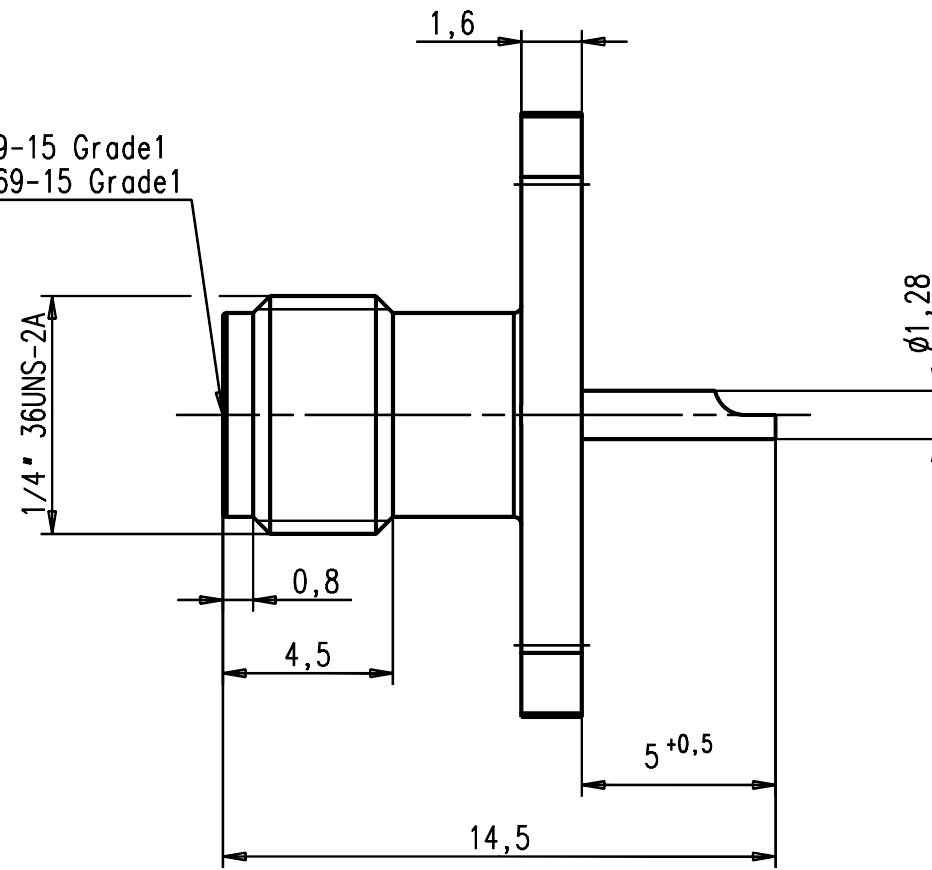


Steckbereich nach IEC 169-15 Grade1
Mating area acc.to IEC 169-15 Grade1



IMS CONNECTOR SYSTEMS				general tolerance	scale: 5:1
				ISO 2768	Assembly instruction: Stripping dimension:
	date	name	Chassisbuchse Bulkhead jack		
	generate 28.03.77	Ketterer			
	checked				
	Norm				
	32456		42.2017.19'		
302/04	a	Schutzhuelle entf.	18.10.04	Pölz	Rev. a
nr.	rev.	alteration	date	name	