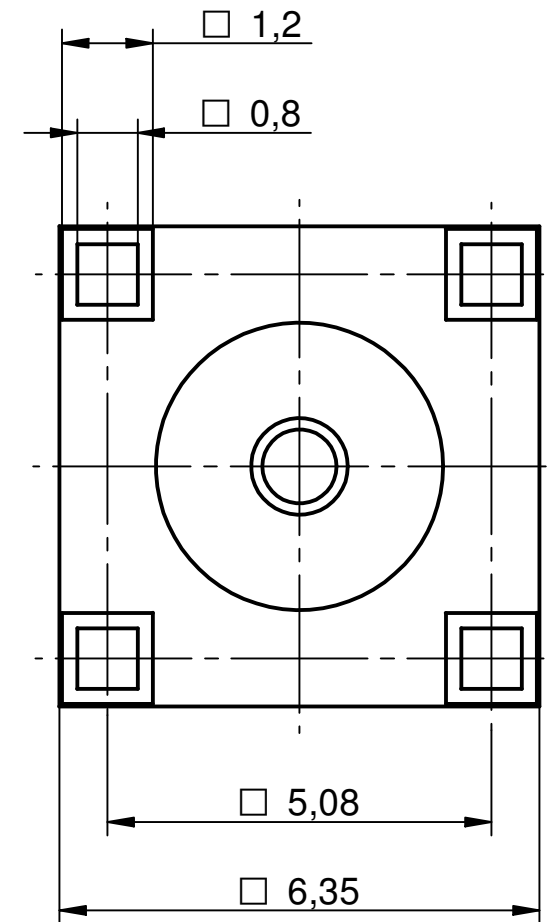
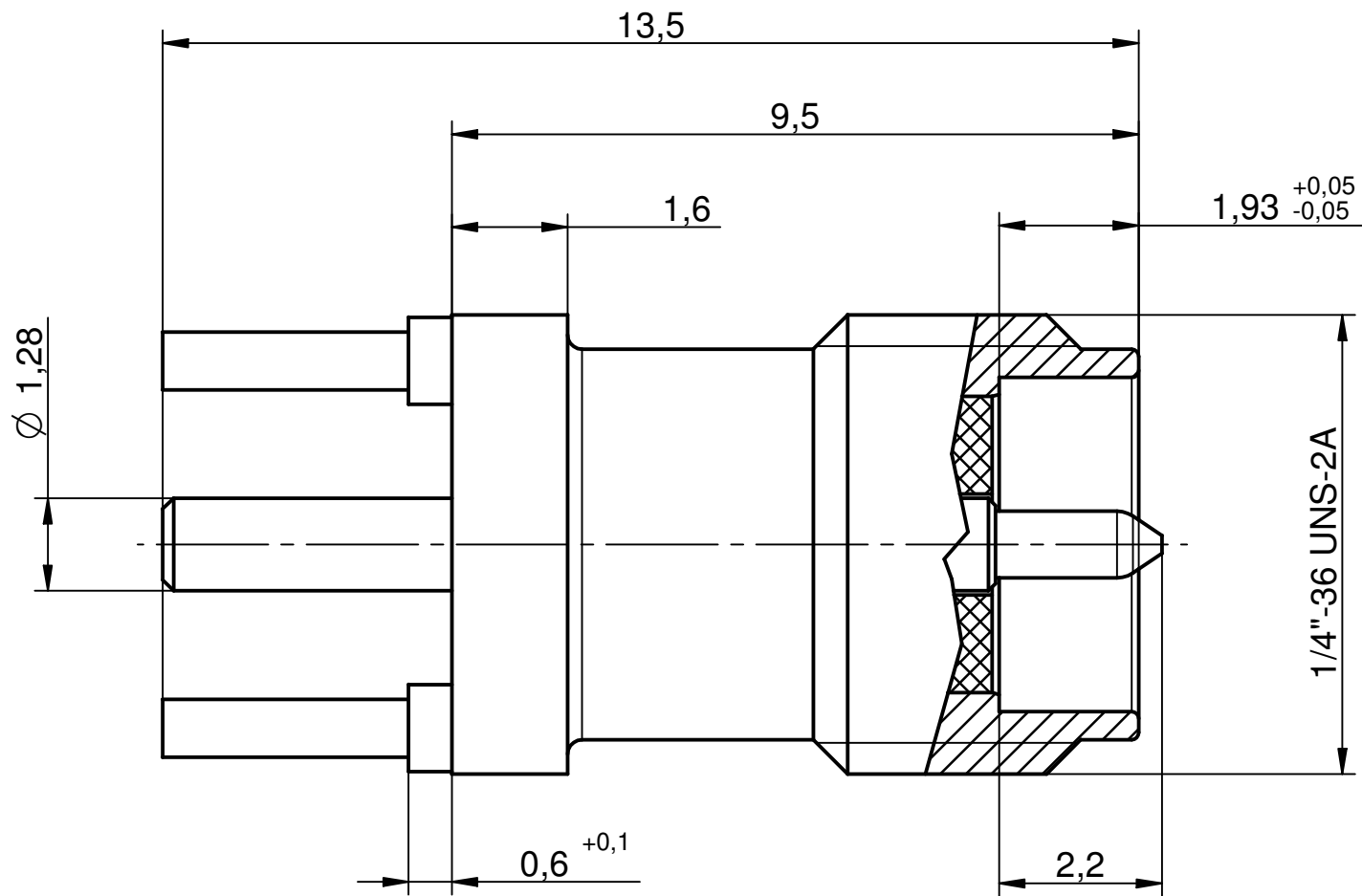
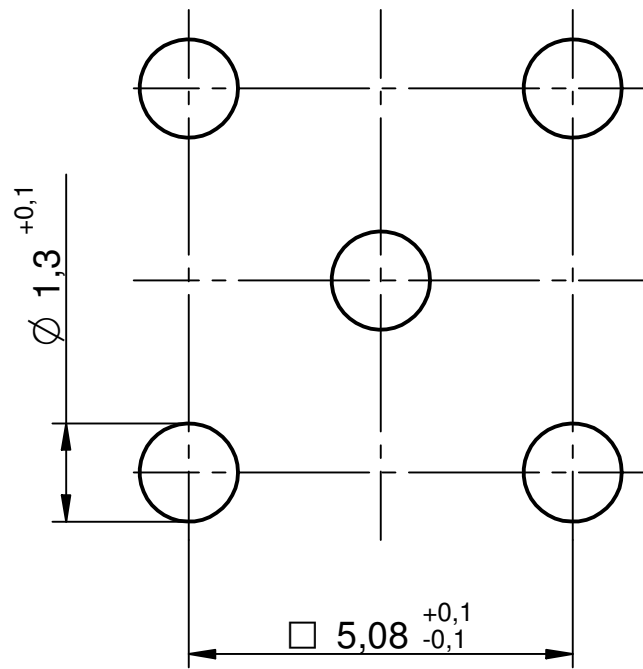
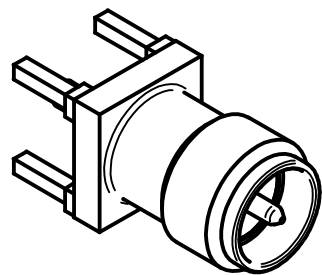


Montagebohrungen:  
Mounting detail:

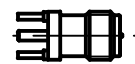


Nicht IEC Standard!!  
No IEC-Standard!!

M/s 3:1



M/s 1:1



<b>IMS CONNECTOR SYSTEMS</b>					general tolerance ISO 2768 mH angle: $\pm 5^\circ$		scale: 10:1	
					date		name	
					generate	07.06.07	Assembly instruction: Stripping dimension:	
					checked		SMA-Anbaustecker rev. pol.	
					Norm		SMA-p.c.b mount. plug rev. pol.	
							4344.42.1510.00'	
								Rev.
nr.	rev.	alteration	date	name				