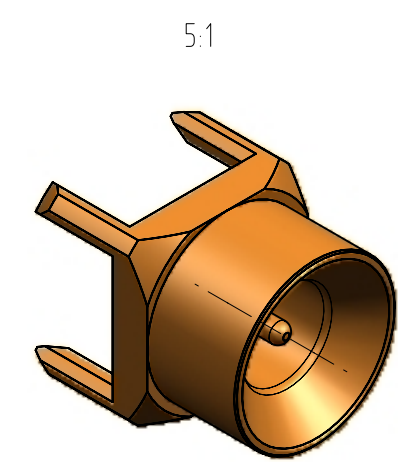
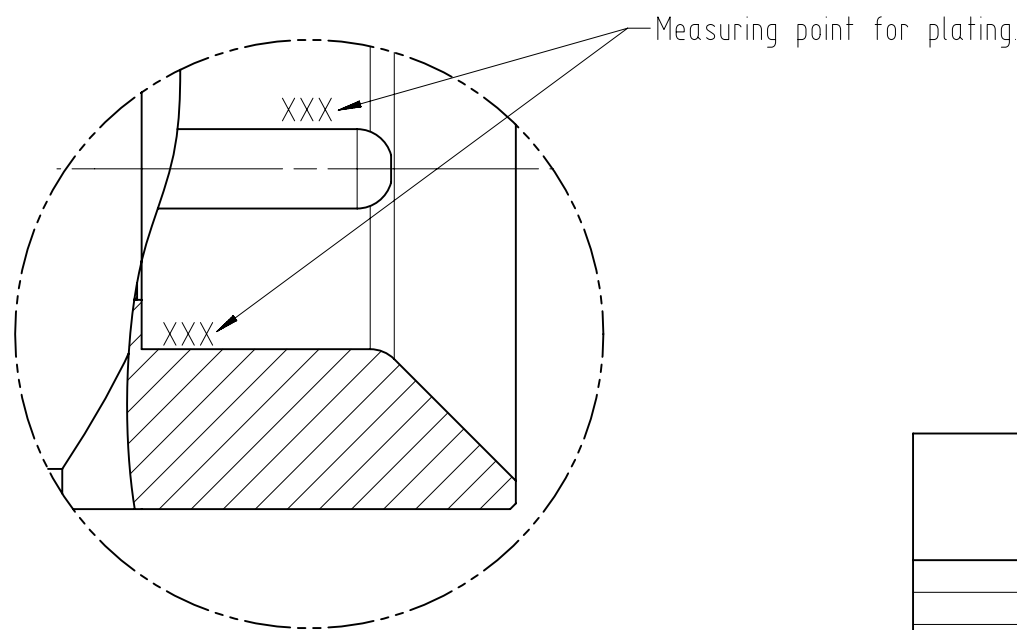


Verpackungsdaten:

Blistergurt: AGK-3900
 Stk/Gurt: 580
 Stk/m: 83,3
 Vorlauf: 0,3 m
 Nachlauf: 0,4 m
 Gurtlaenge: ca. 7,7 m
 Spulen Ø: 330 mm

Dates of packing:

Tape & reel: AGK-3900
 Parts/reel: 580
 Parts/m: 83,3 m
 forward run: 0,3 m
 after run: 0,4 m
 Length: app. 7,7 m
 Reel Ø: 330 mm



					general tolerance ISO 2768 mH		scale: 10:1		"smooth bore"	
					date 29.09.08		name Schwaer		SMPL-Anbaustecker SMPL-p.c.b. mount plug	
generate checked		date 11.01.10		name RSch		4583.SMPL.1010.00'		Rev. e		
EC_002_10 design		e Addition T&R		11.01.10 RSch						Norm 052863
design		d Addition measure		06.11.09 RSch						
design		c Measuring point add.		12.10.09 RSch						
design		b Revised		22.06.09 RSch						
design		a Change nu.		02.02.09 RSch						
nr.		rev.		alteration		date		name		