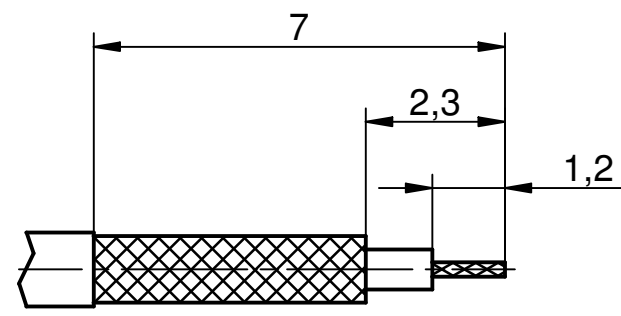
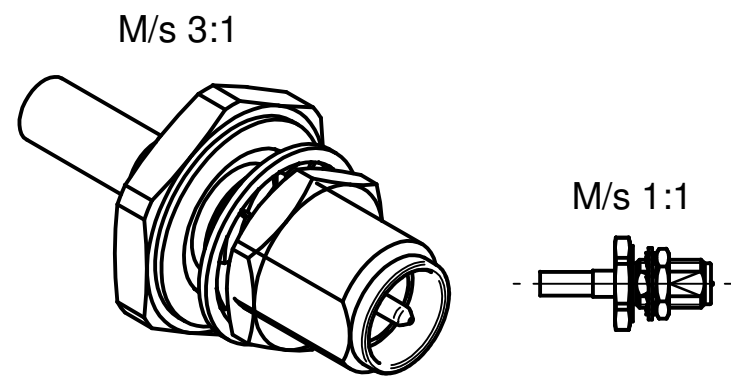


Kabelzuschnitt / Stripping dimension:
Kabel / cable: Hirose U.FL-LP-066



ungesteckter Zustand: IP 67
unmating condition: IP 67

(Nicht IEC-Standard)
(No IEC-Standard)



IMS CONNECTOR SYSTEMS					general tolerance ISO 2768 mH angle: ± 5°		scale: 8:1	
					date		name	
					generate	01.06.10	Assembly instruction: Stripping dimension:	
					checked		SMA-Kabelstecker rev. pol.	
					Norm		SMA-cable mount plug rev. pol.	
							4824.42.1410.04'	
design nr.	a rev.	optimized alteration	11.06.10 date	Pözl name			Rev. a	