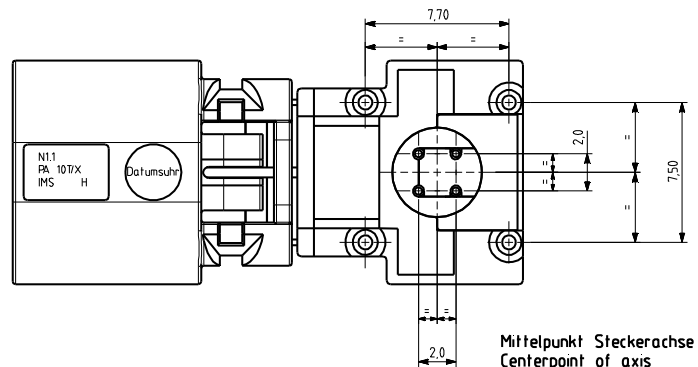
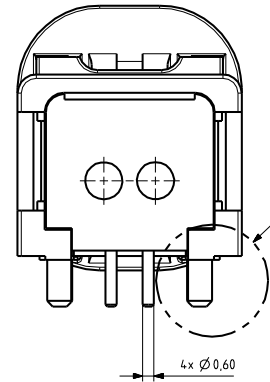
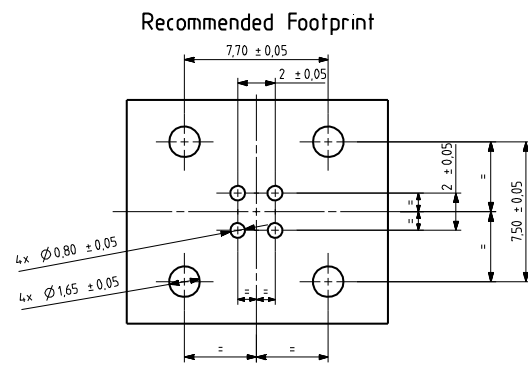


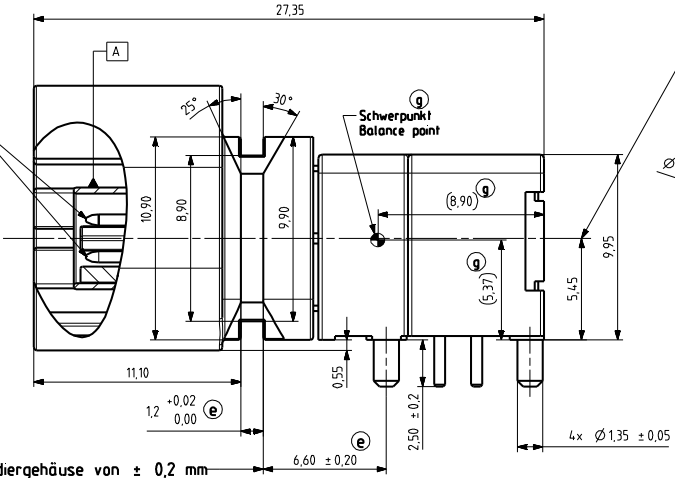
Einzelheit A  
SCALE 20:1



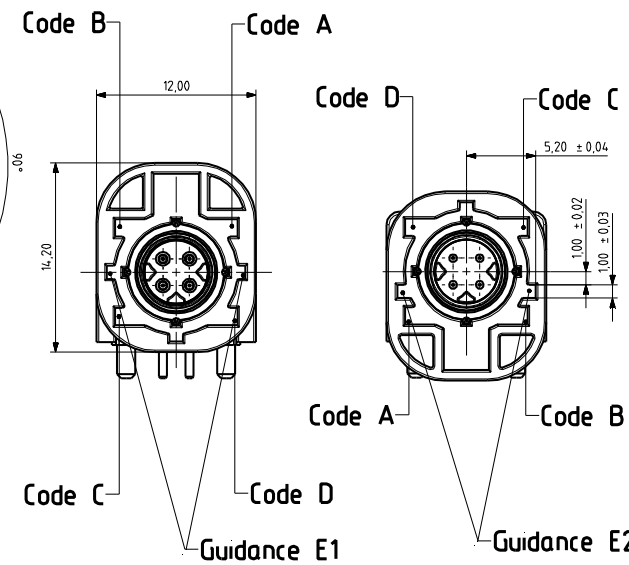
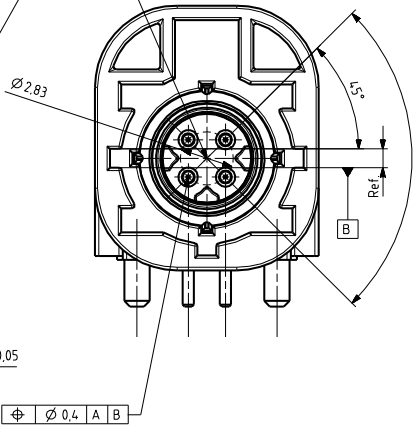
Mittelpunkt Steckerachse  
Centerpoint of axis



Contact peak thermal stripped/  
Kontaktspitzen thermischerissen



axialspiel Kodiergehäuse von ± 0,2 mm  
Axial clearance Plastichousing ± 0,2 mm

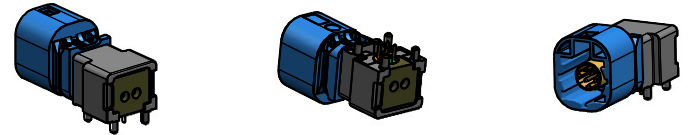


Variable X have to be stated within the drawing number when an order is placed.

Variable X = Coding

Kodierung Coding	Plug	Farbe Color	aehtl. RAL similar to RAL
A = A-B-E1		tiefschwarz jet black	9005
B = A-C-E1		cremeweiss cream	9001
C = B-D-E1		signalblau signal blue	5005
D = C-D-E1		bordeauxviolett claret violet	4004
E = B-C-E1		laubgruen leaf green	6002
F = A-D-E1		nussbraun nut-brown	8011
Z		wasserblau water-blue	5021

Kodierung Coding	Plug	Farbe Color	aehtl. RAL similar to RAL
G = A-B-E2		blaugrau bluish gray	7031
H = A-C-E2		erikaviolett heather violet	4003
J = B-D-E2		beige beige	1001
K = C-D-E2		currygelb curry	1027
L = B-C-E2		gelbgruen yellow green	6018
M = A-D-E2		pastellorange pastel orange	2003
O		lichtgruen light green	6027



Scale 1:1



Variable Z=Plating		Variable Z					IMM CONDUCTOR SYSTEMS		part name 120 704 mil		scale 1:1	
Part	Material	1	3	5	7	9	date	name	date	name	date	name
Housing	diecast		Ni+Sn			Ni+Sn	02.04.13	frank	21.02.12	frank		
Cap	diecast		Ni			Ni	28.09.12	frank				
Plastic Housing	PPA						03.08.12	frank				
Centre Pin	brass		Au			Au	15.06.12	frank				
Outer Contact	brass		Au			Ni	19.03.12	frank				
Insulator	LCP						19.02.12	frank				

HSD PCB Anbauwinkelstecker  
HSD PCB mount angle plug  
4936 HSD.1X10.00Z  
Rev. h