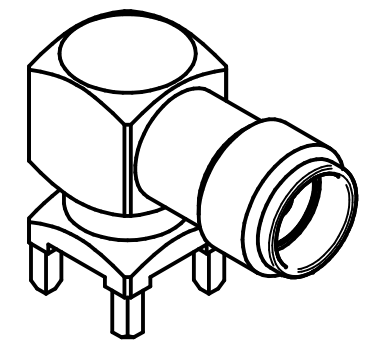


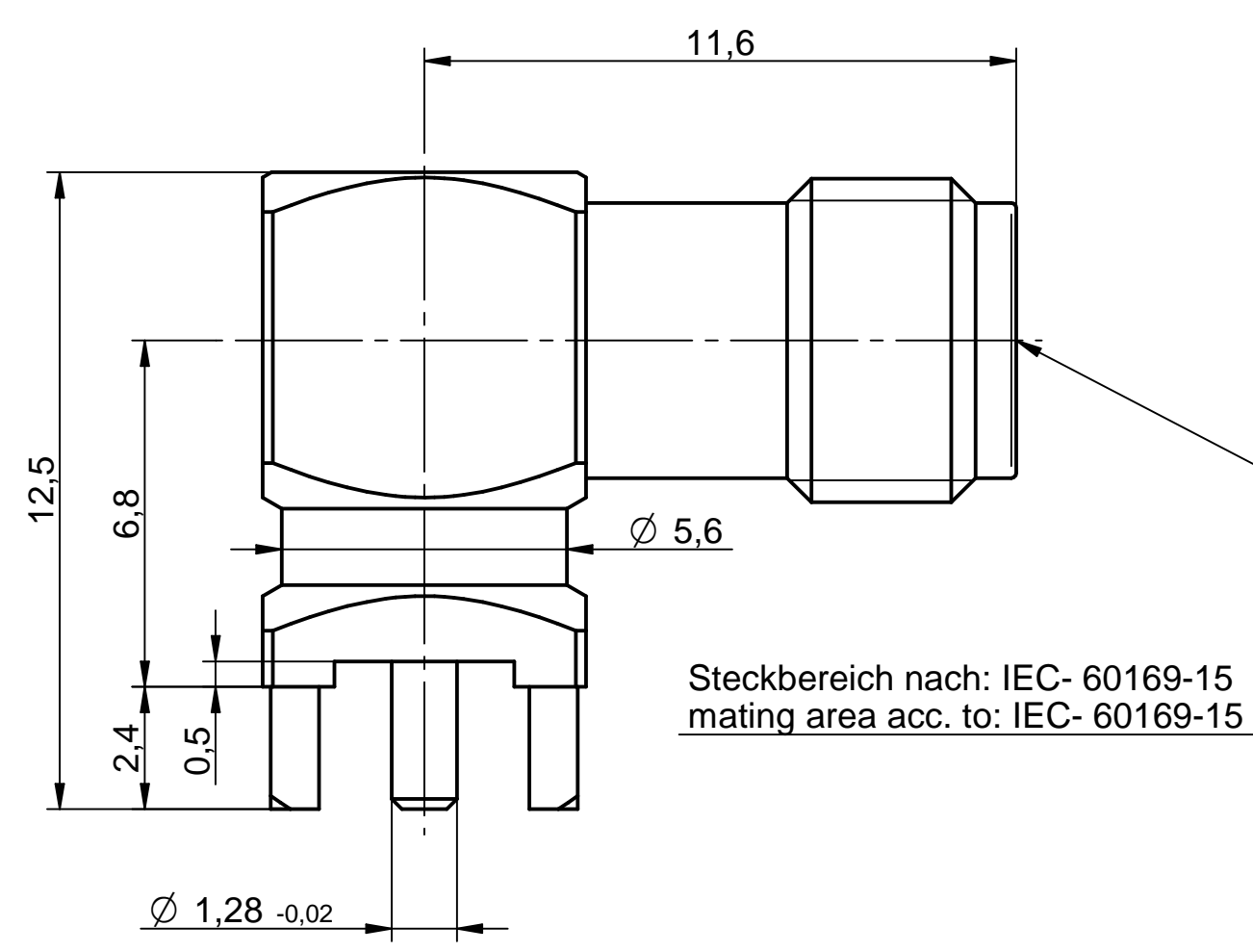
M/s 1:1



M/s 3:1

Verpackung:

Blistergurt: AGK-2964  
 Stk/Gurt: 320  
 Stk/m: 83,3  
 Vorlauf: 0,3 m  
 Nachlauf: 0,4 m  
 Gurtlänge: ca. 4,6 m  
 Spulen Ø: 330 mm



Steckbereich nach: IEC- 60169-15  
 mating area acc. to: IEC- 60169-15

Packaging:

tape and reel: AGK-2964  
 parts/reel: 320  
 parts/m: 83,3  
 forward run: 0,3 m  
 after running: 0,4 m  
 length: appr. 4,6 m  
 reeldiameter: 330 mm

|  |  |  |  |  |   |  |   |  |
|--|--|--|--|--|---|--|---|--|
|  |  |  |  |  | general tolerance<br>ISO 2768<br>mH<br>angle: ±5° |  | scale: 7:1                                    |  |
|  |  |  |  |  | generate 27.08.14 F Fab.                          |  | Assembly instruction:<br>Stripping dimension: |  |
|  |  |  |  |  | checked   |  | SMA (f) - Winkelbuchse                        |  |
|  |  |  |  |  | Norm  |  | SMA (f) - mount angle jack                    |  |
|  |  |  |  |  |   |  | 5191.42.2520.00'                              |  |
|  |  |  |  |  | nr. rev. alteration date name                     |  | Rev.  |  |