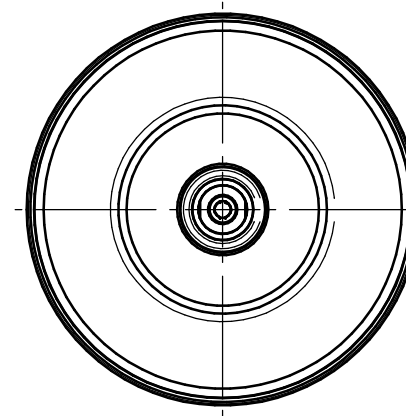
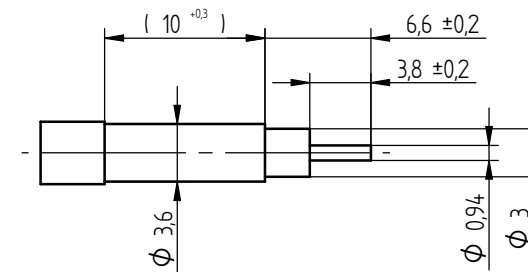


Steckbereich nach IEC 61169-54
Mating area acc. IEC 61169-54



Kabelzuschnitt / stripping dimension
Kabel / cable
UT-141
Flexiform 402



IMS CONNECTOR SYSTEMS				general tolerance ISO 2768		scale: 3:1	
				date		name	
				12.02.15		Schwaer	
				generate		Quick Lock Type	
				checked		4.3/10(m)-Kabelstecker	
						4.3/10(m)-Cable mount plug	
						5237.VDZ.1010.07'	
						Rev. d	
Design	d	Revised	06.04.15	RSc			
Design	c	Change acc. sim.2	22.12.15	RSc			
Design	b	Revised solder area	11.12.15	RSc			
Design	a	Revised	30.10.15	RSc			
nr.	rev.	alteration	date	name			