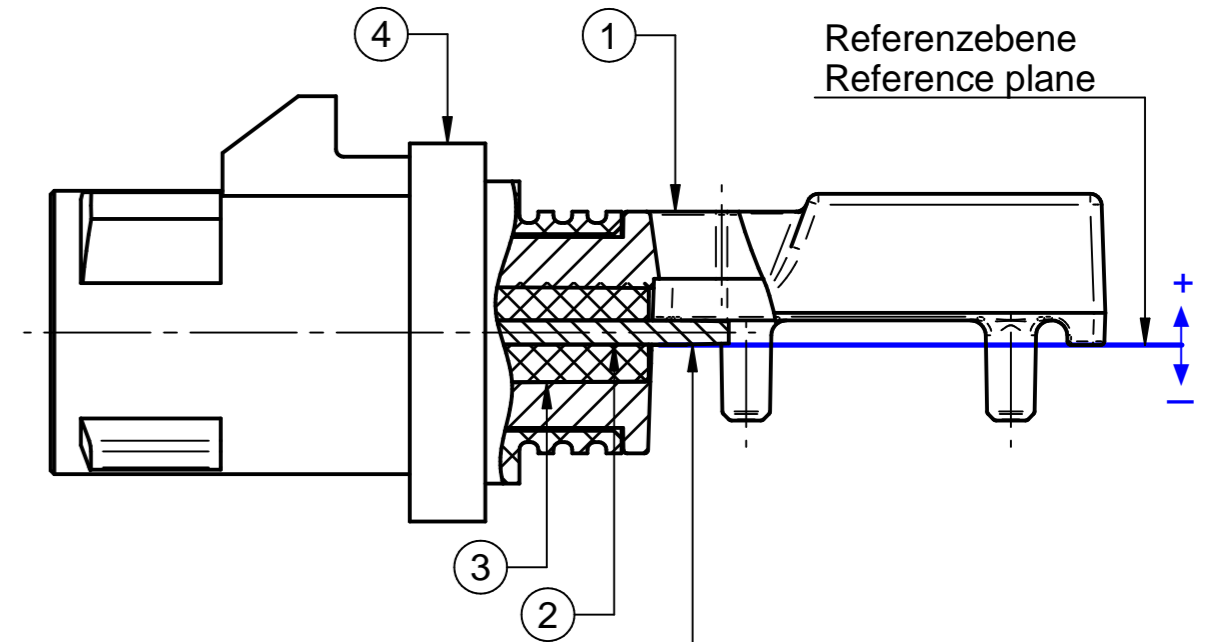
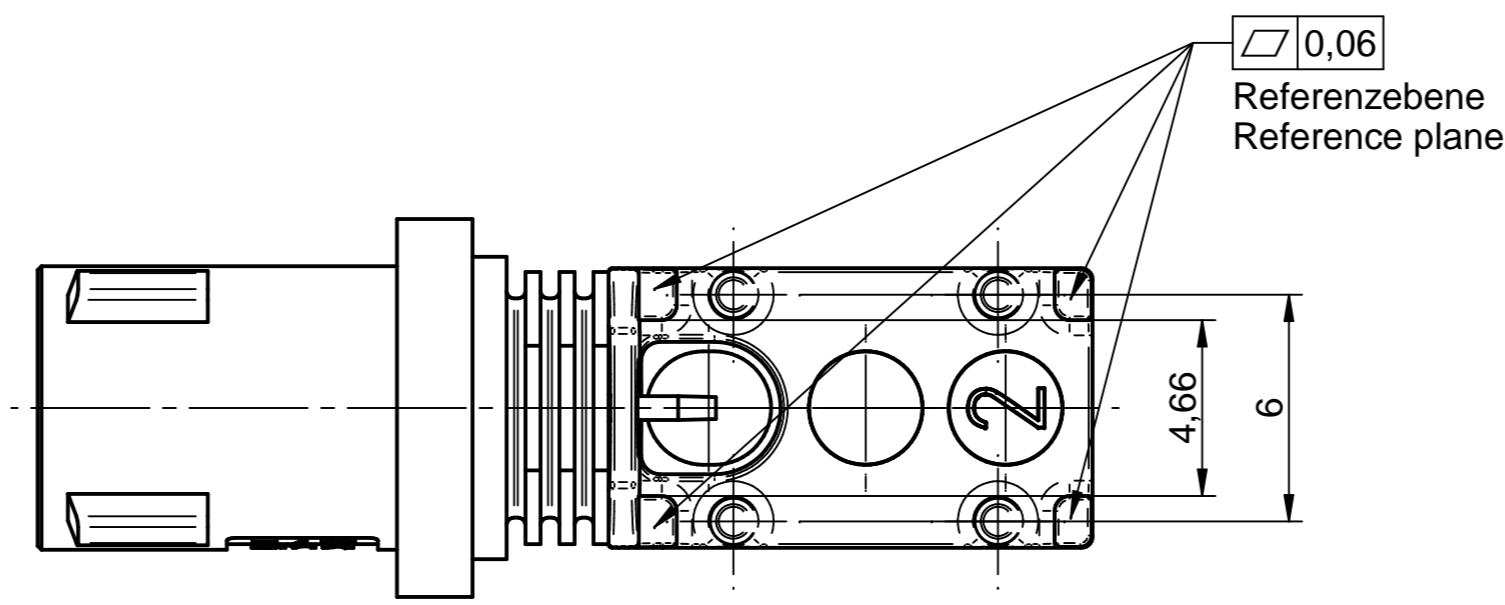
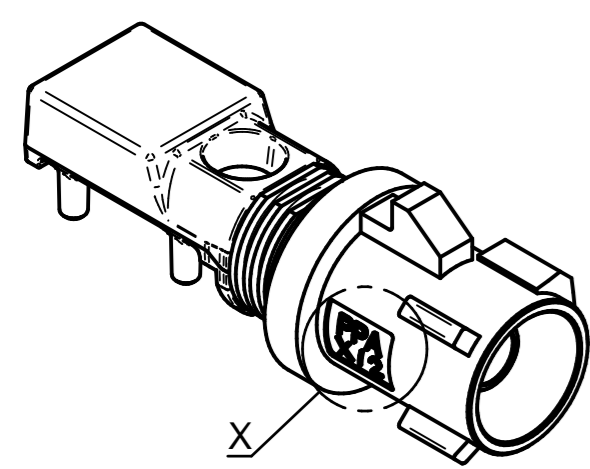


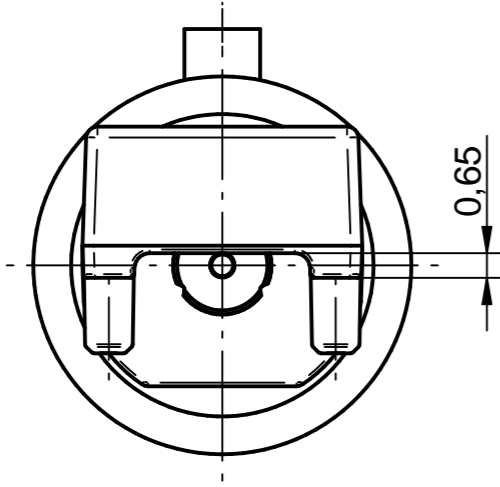
Empfohlenes Leiterplatten-Layout  
Recommended PCB-layout  
M/s 5:1



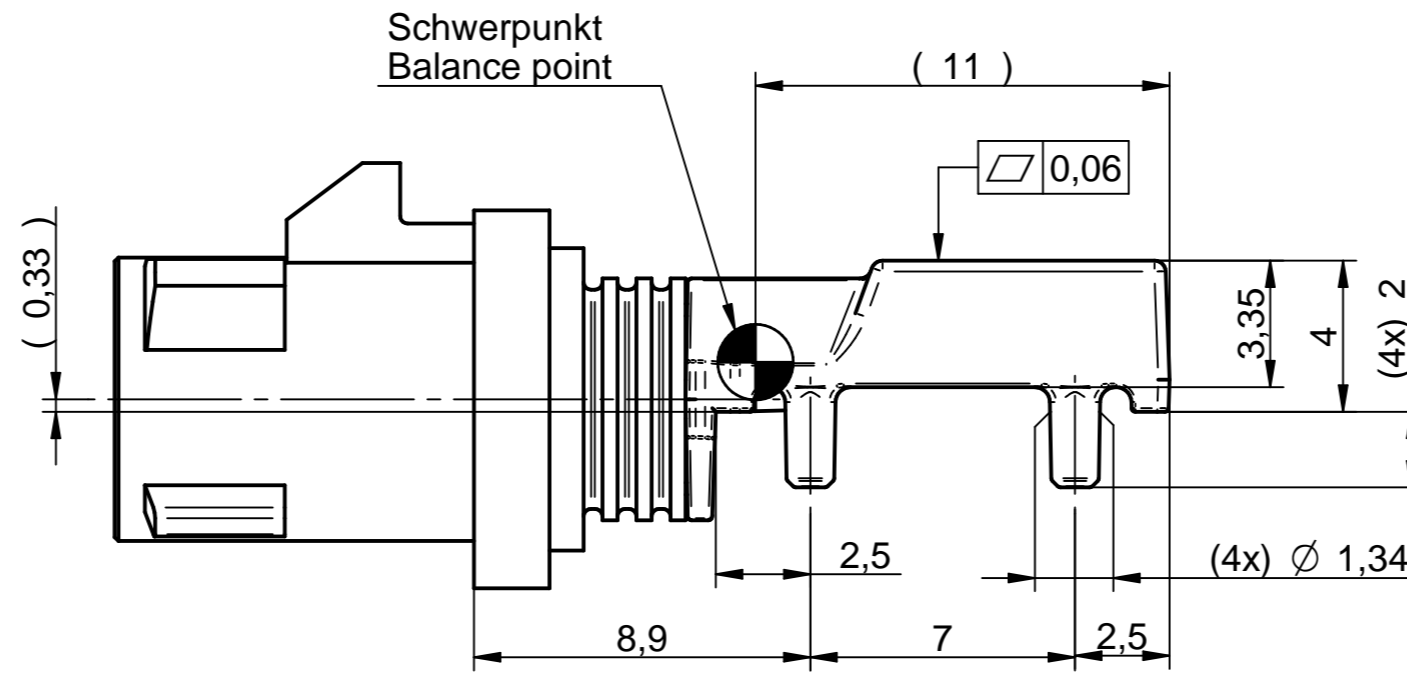
+0,08 Innenleiterkante zu Referenzebene  
-0,04 Inner contact shell to reference plane



M/s 3:1

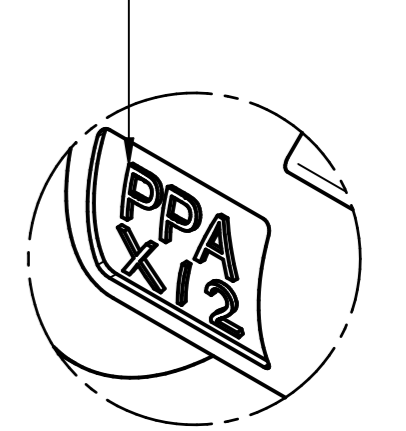
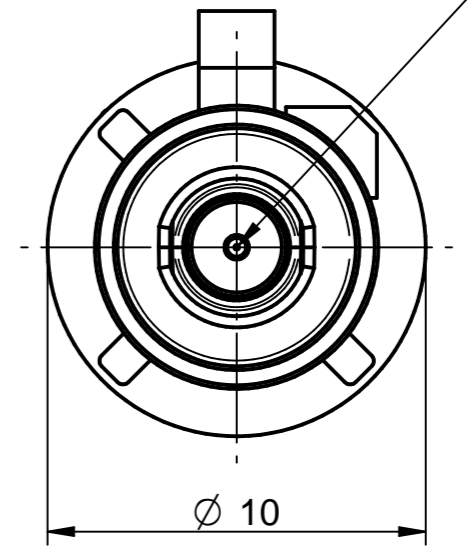


0,65



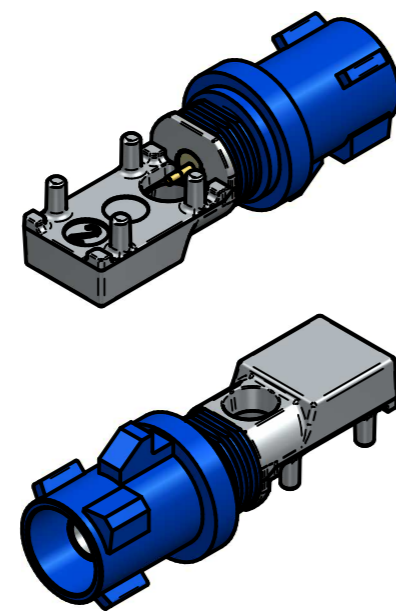
Steckbereich nach: ISO 20860  
mating area acc. to: ISO 20860

Kennzeichnung (vertieft)  
Marking (recessed)

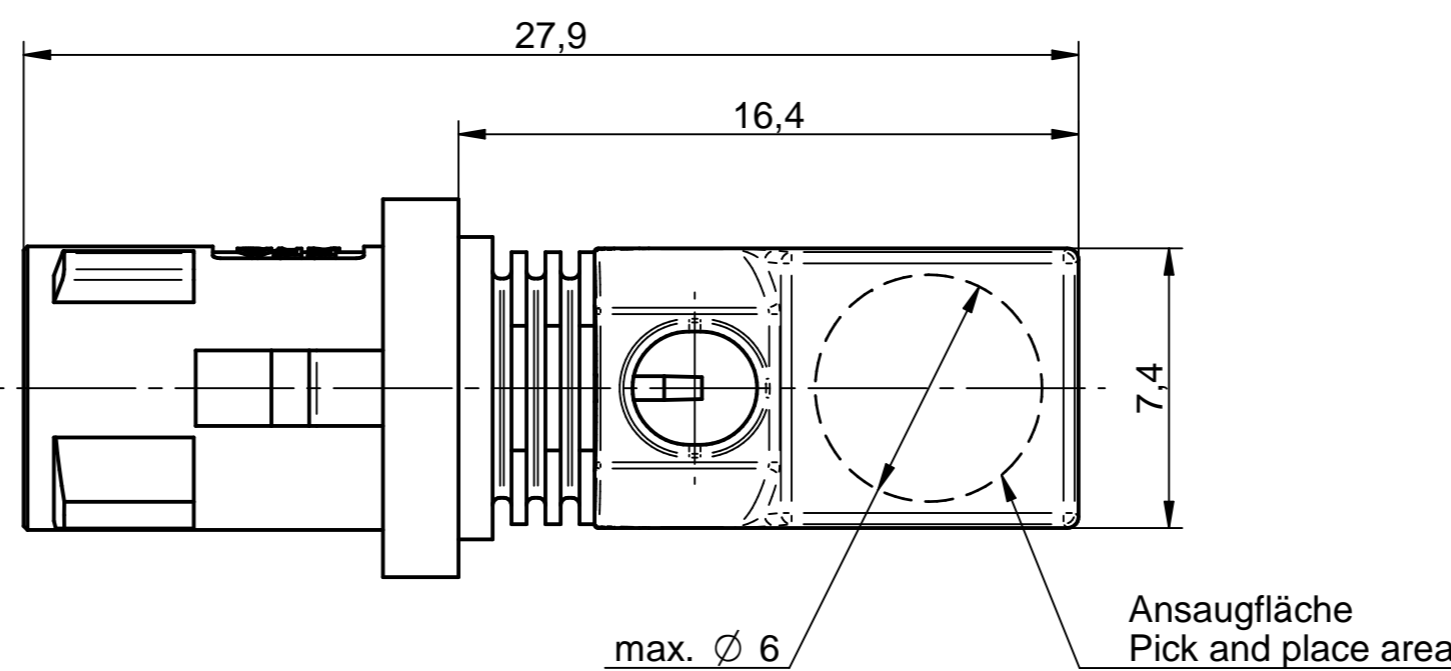


Einzelheit / detail X  
M/s 8:1

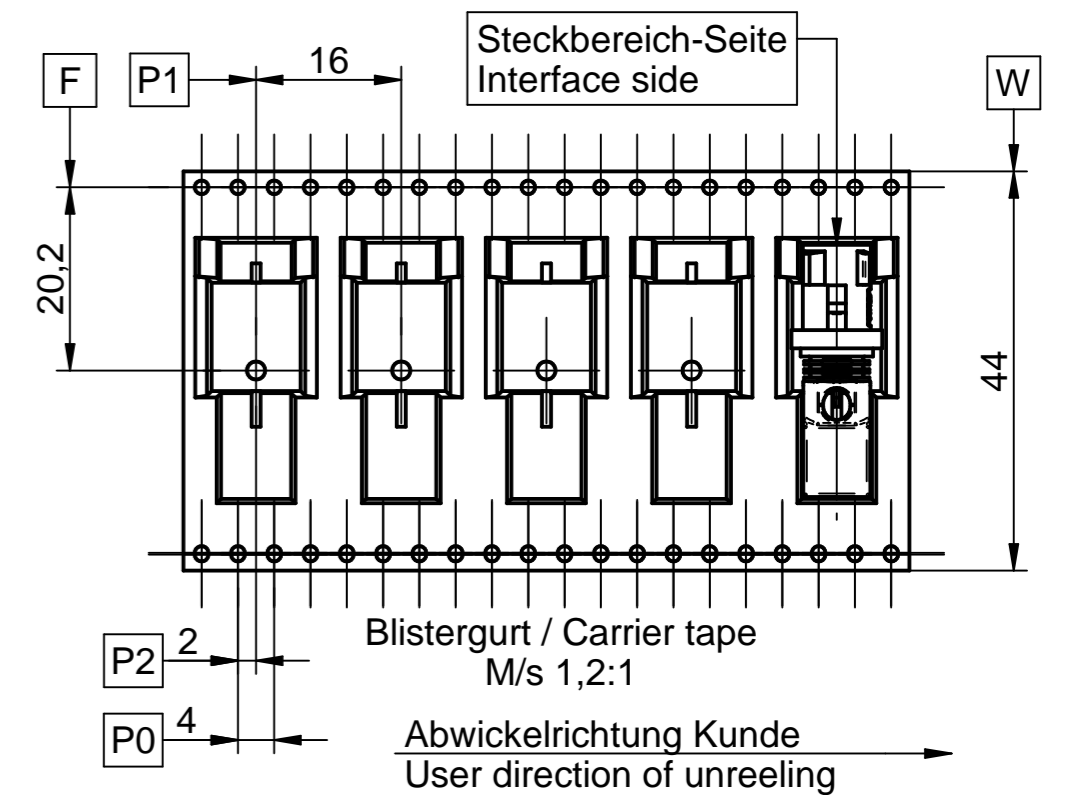
| variable X = Coding |                        |                        |                         |                    |
|---------------------|------------------------|------------------------|-------------------------|--------------------|
|                     |                        |                        |                         |                    |
| Code A              | Code B                 | Code C                 | Code D                  | Code E             |
| (A+B1)              | (A+B2)                 | (A+C)                  | (A+D)                   | (B1+B2)            |
| black<br>9005       | creme-white<br>9001    | signal-blue<br>5005    | bordeaux-violet<br>4004 | leaf-green<br>6002 |
|                     |                        |                        |                         |                    |
| Code F              | Code G                 | Code H                 | Code I                  | Code K             |
| (B1+C)              | (B1+D)                 | (B2+C)                 | (B2+D)                  | (C+D)              |
| nut-brown<br>8011   | blue-grey<br>7031      | heather-violet<br>4003 | beige<br>1001           | curry<br>1027      |
|                     |                        |                        |                         |                    |
| Code L              | Code M                 | Code N                 | Code Z                  |                    |
| (H+J1)              | (H+J2)                 | (H+G1)                 | -                       |                    |
| carmine-red<br>3002 | pastell-orange<br>2003 | white-green<br>6019    |                         | water-blue<br>5021 |



M/s 2:1



Ansaugfläche  
Pick and place area

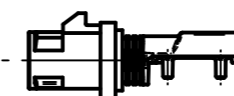


Blistergurt / Carrier tape  
M/s 1,2:1

Abwickelrichtung Kunde  
User direction of unreeling

| Pos. | Benennung<br>Description             | Werkstoff<br>Material | Oberfläche<br>Plating |
|------|--------------------------------------|-----------------------|-----------------------|
| 1    | Außenkontakt<br>Outer contact        | GD-Zn                 | Ni + Sn               |
| 2    | Innenkontakt<br>Inner contact        | CuZn                  | Au                    |
| 3    | Isolierung<br>Insulator              | SPS                   | -                     |
| 4    | Kunststoffgehäuse<br>Plastic housing | PA 6T/66              | -                     |

| Blistergurt       | Carrier tape  | AGK-4726          |
|-------------------|---------------|-------------------|
| Stck/Gurt         | Parts/reel    | 350               |
| Stck/m            | Parts/m       | 62,5              |
| Vorlauf           | Forward run   | 0,3 m (19 cavity) |
| Nachlauf          | After run     | 0,4 m (25 cavity) |
| Gurtlänge         | Tape length   | ca./app. 6,3 m    |
| Spulendurchmesser | Reel diameter | 380 mm            |



M/s 1:1

| IMS CONNECTOR SYSTEMS |      |                      |          | general tolerance<br>ISO 2768<br>mH<br>angle: ±5° | scale: 5:1 |
|-----------------------|------|----------------------|----------|---|------------|
|                       |      |                      |          | date  | name       |
|                       |      |                      |          | 12.06.18  | F Fab.     |
|                       |      |                      |          | generate  | checked    |
|                       |      |                      |          | Norm  |            |
|                       |      |                      |          | Assembly instruction:<br>Stripping dimension:     |            |
|                       |      |                      |          | SMBA (m) - Anbaustecker                           |            |
|                       |      |                      |          | SMBA (m) - PCB plug                               |            |
|                       |      |                      |          | 5501.SMBA.1X10.00Z                                |            |
|                       |      |                      |          | Rev. d  |            |
| PEC_11374_01          | d    | carrier tape, mark   | 15.04.19 | F Fab.  |            |
| design                | c    | PCB-layout           | 08.03.19 | F Fab.  |            |
| design                | b    | inner contact - ref. | 08.08.18 | F Fab.  |            |
| design                | a    | revised              | 27.07.18 | F Fab.  |            |
| nr.                   | rev. | alteration           | date     | name  |            |