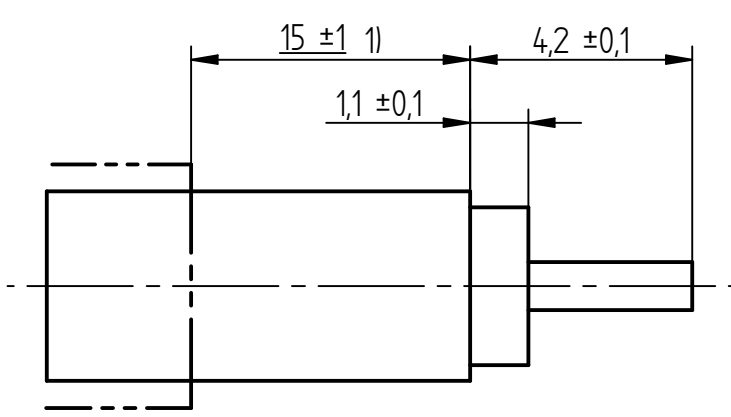


1) Dimension after cable assembling ( $1,3 \pm 0,2$ ).

Kabelzuschnitt / Stripping dimension  
Kabel / cable: RG402 / Flexiform 402 / Sucoform 141, UT141



1) Abisolierung bei vorhandenem Kunststoffmantel.  
Stripping for cable with plastic jacket.

				general tolerance ISO 2768	scale: 7:1	
					Screw type Assembly Instruction M-285	
				date	name	NEX10(m)-Kabelstecker NEX10(m)-Cable mount plug
				generate 22.05.19	rschwaer	
				checked		5553.NEX.1410.07Z
Design	b	add. cable variants	07.10.19	UMa		Rev.
Design	a	add. test dimension	18.09.19	RSc		b
nr.	rev.	alteration	date	name		