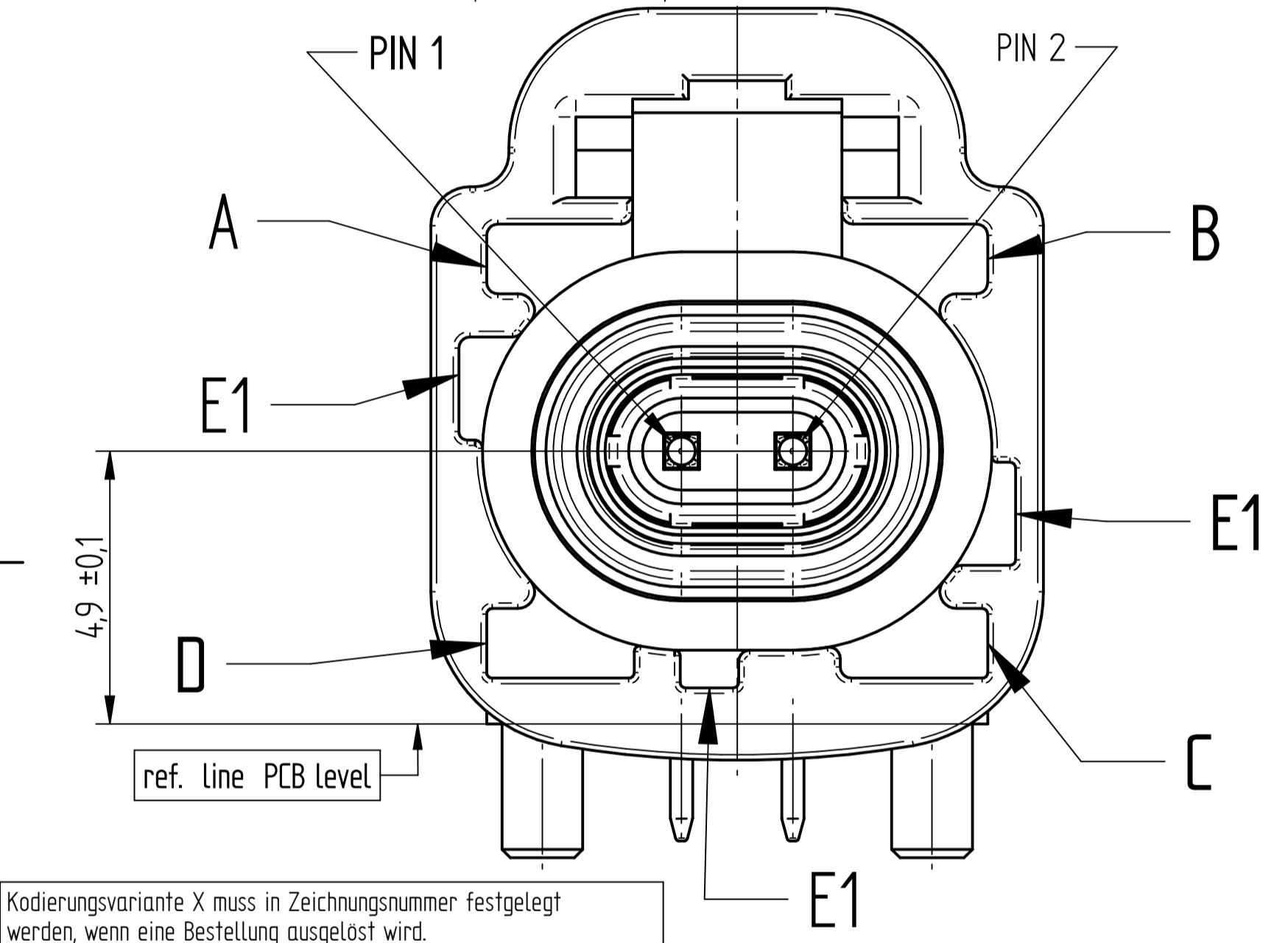
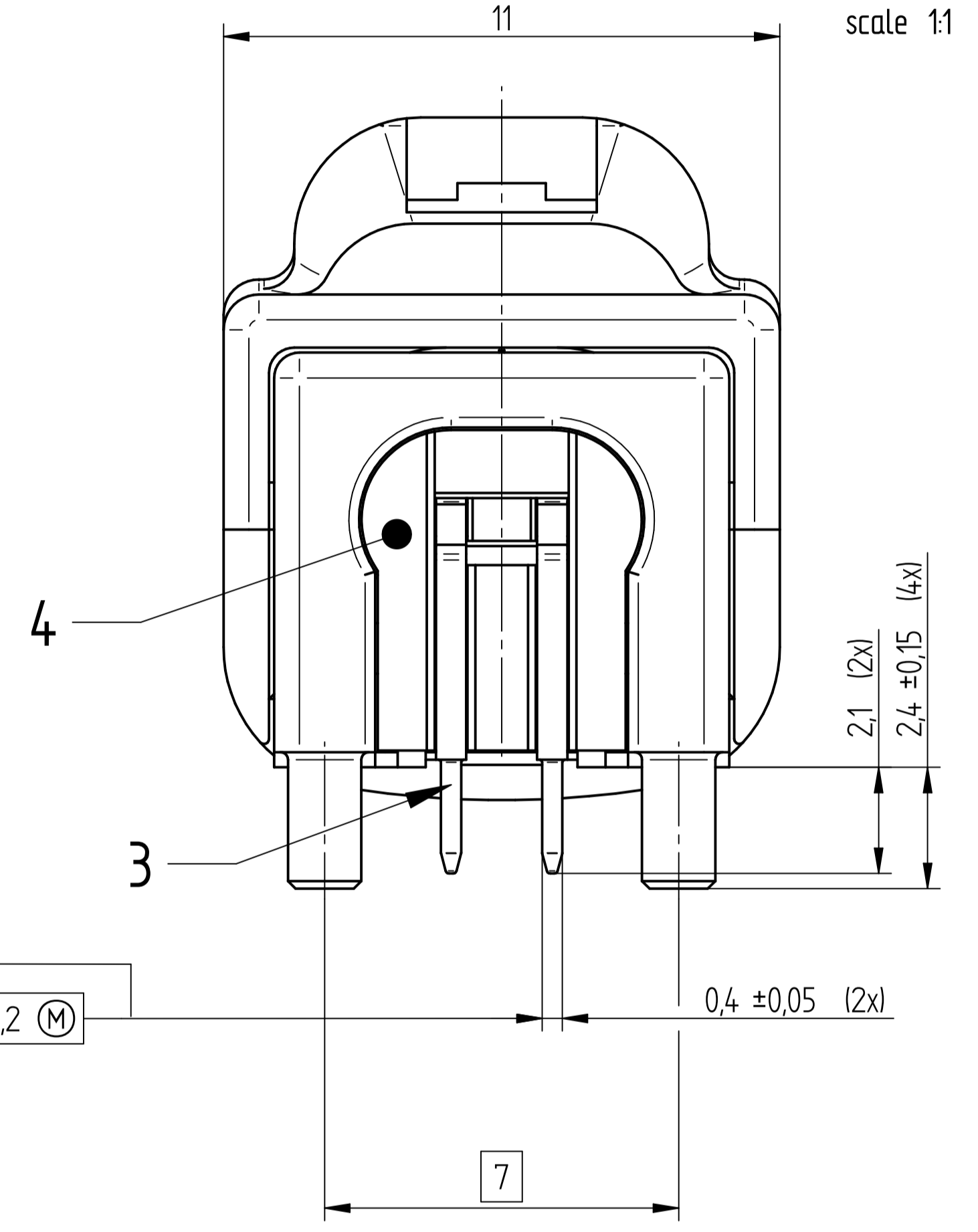
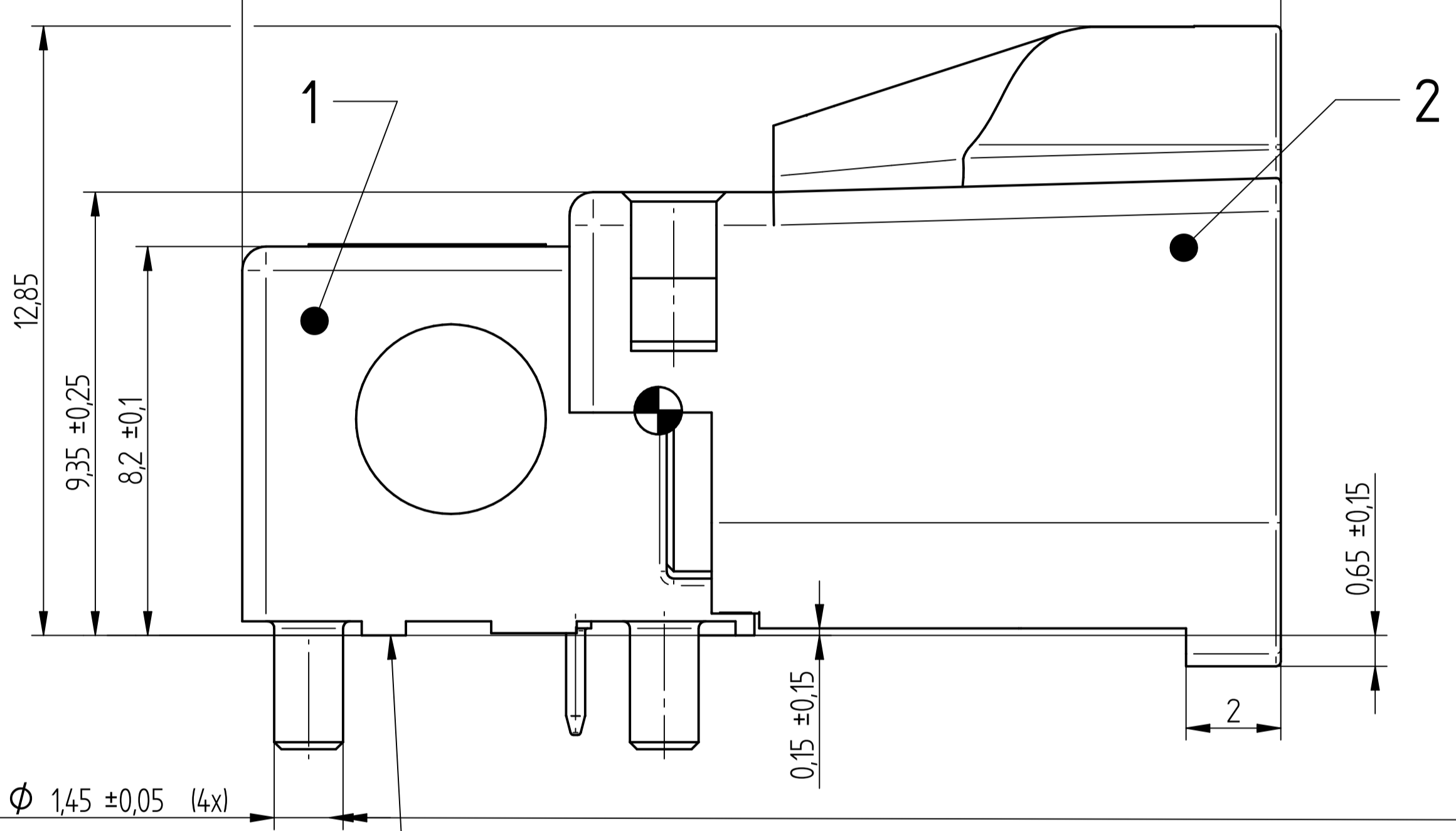
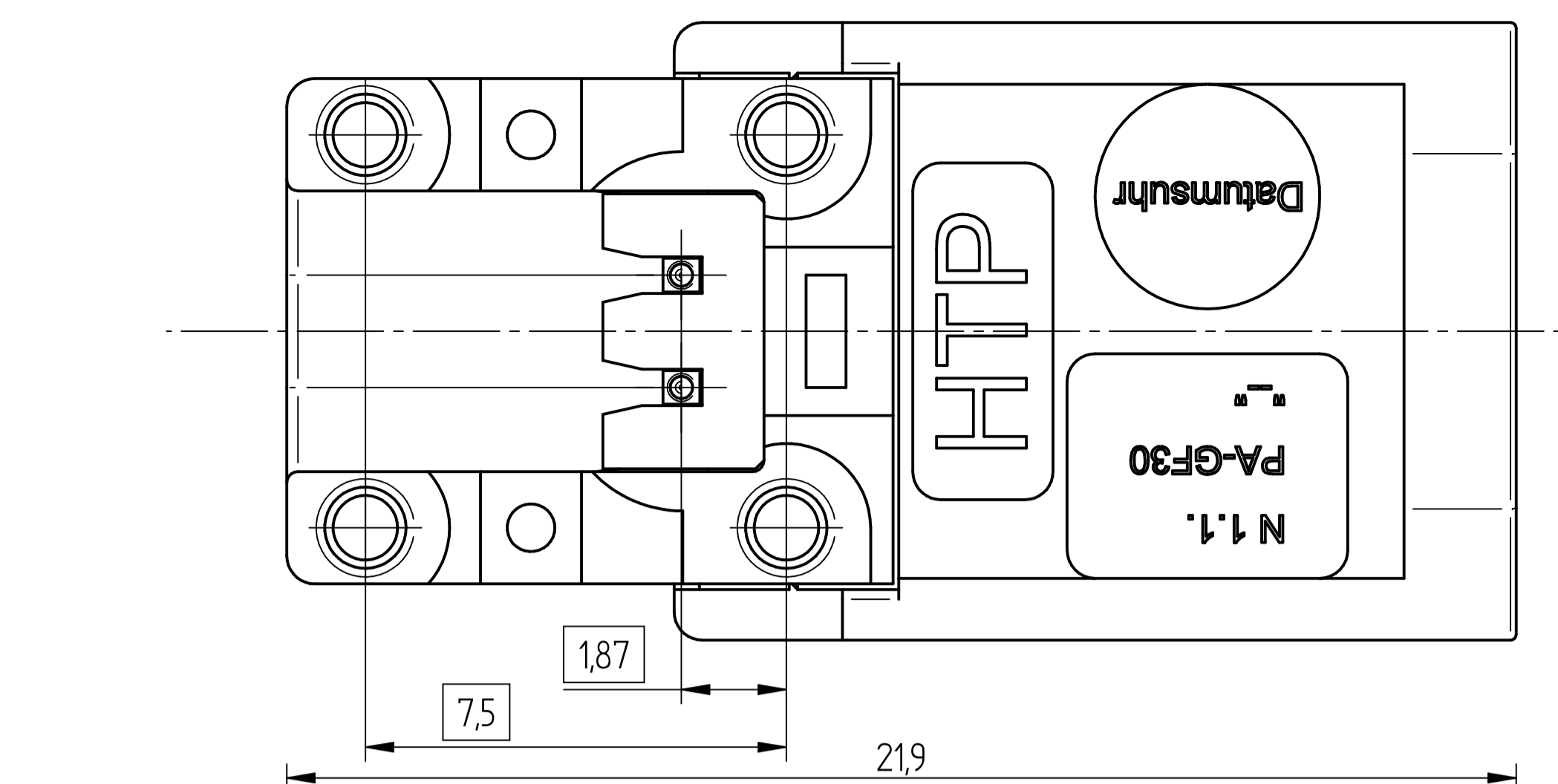
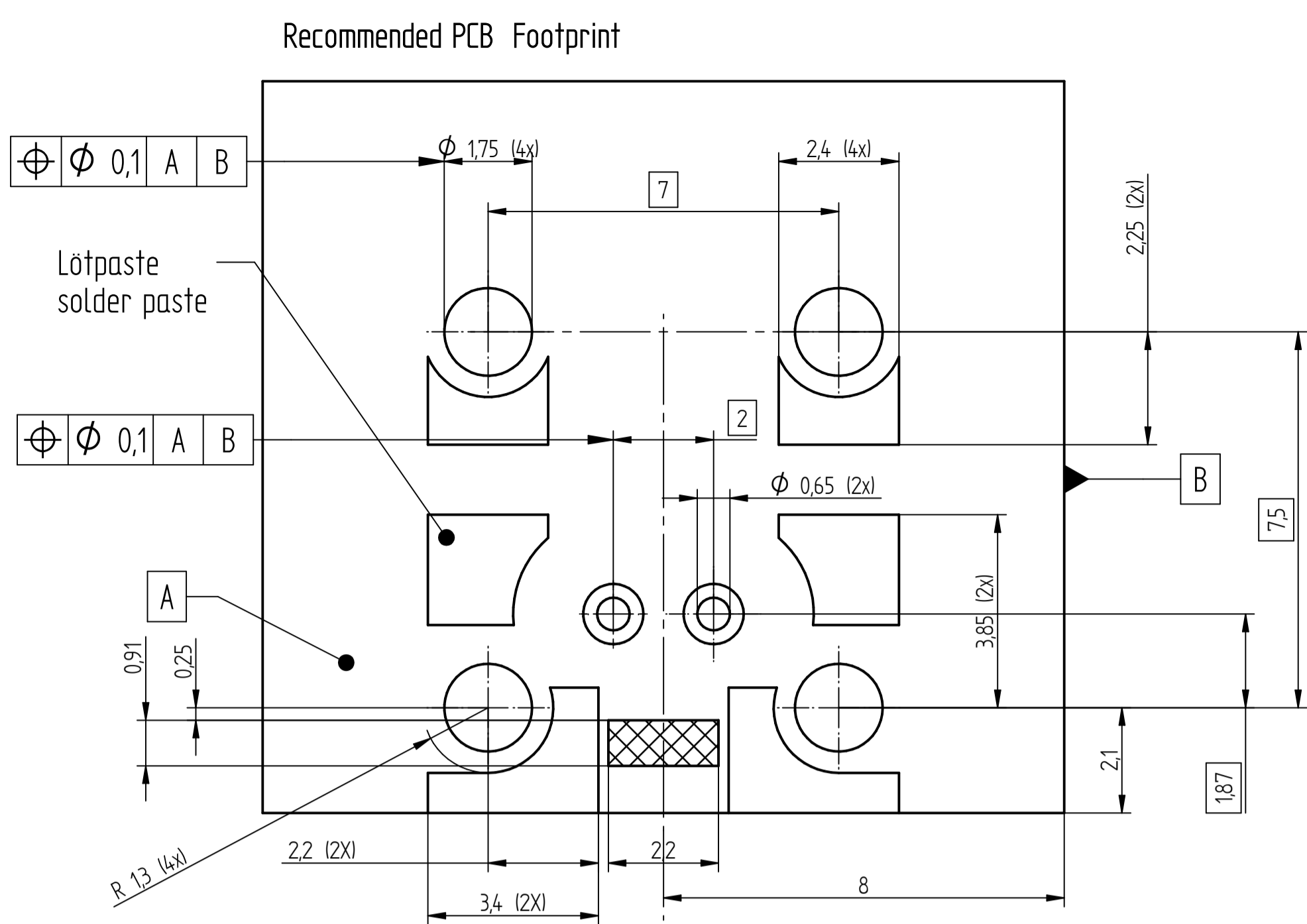
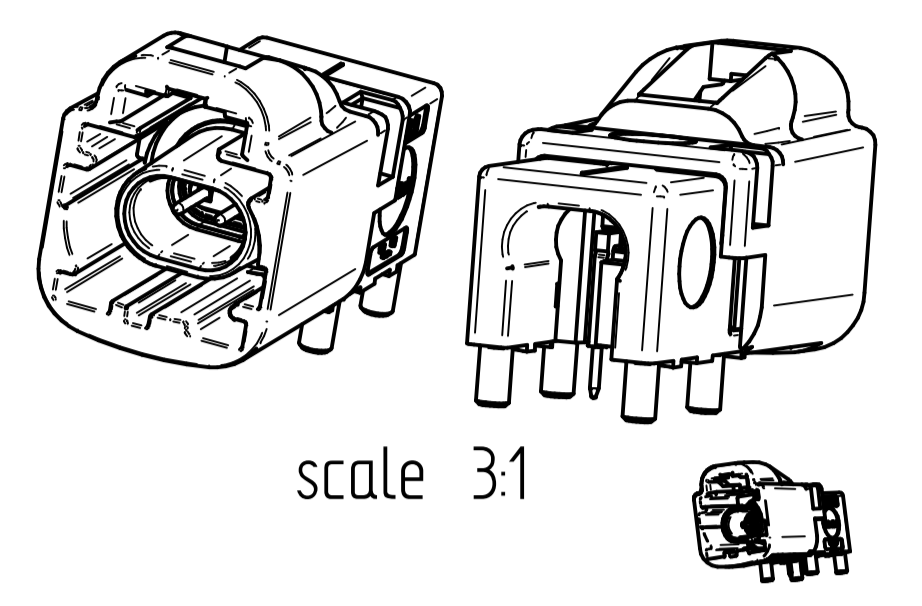


Revision history				
Change ID	Rev.	Alteration	Date	Name
223516	A02	New drw. frame, surface revise	28.01.22	phalmosi
222958	A03	Insulator material change	25.03.22	phalmosi
222958	A04	Added coding chart	27.04.22	phalmosi

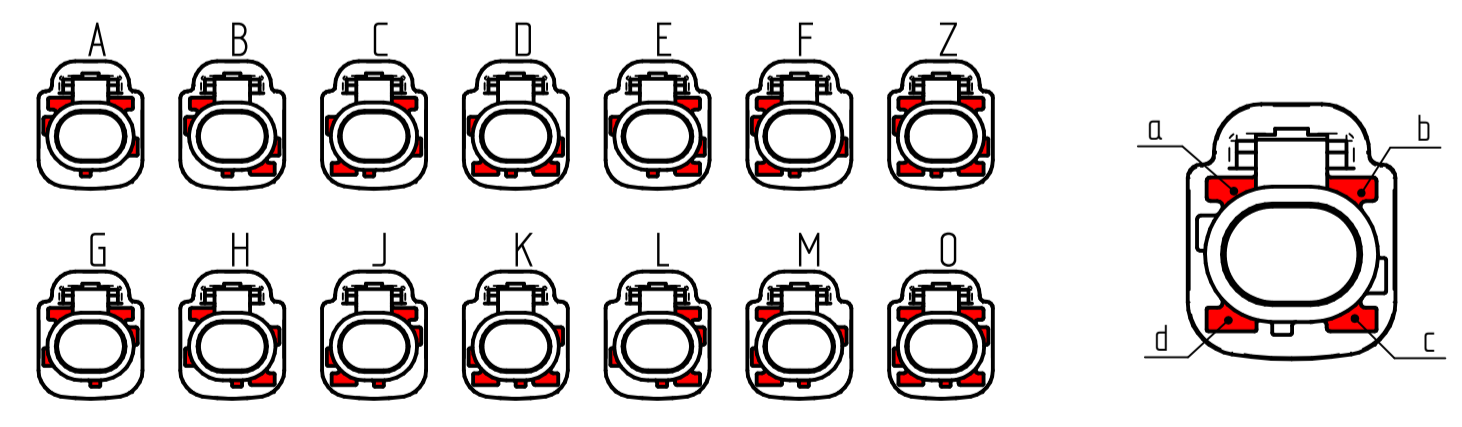


Kodierungsvariante X muss in Zeichnungsnummer festgelegt werden, wenn eine Bestellung ausgelöst wird.

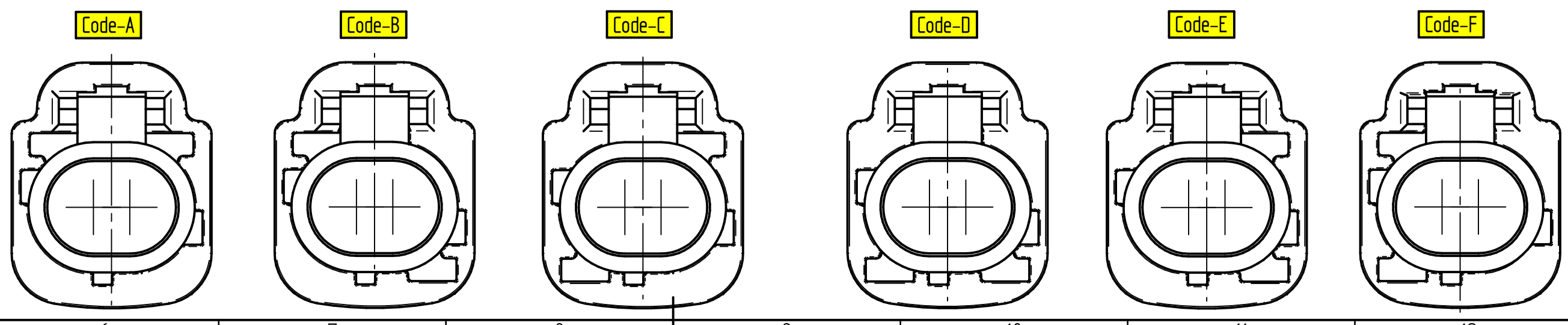
Coding Type X have to be stated within the drawing number, when an order is placed

Kodierung Z ist dargestellt

Coding Z is shown



EWCAP REF #	CODE	KEY	COLOR	RAL_NO
777-U-002-1-A01	A	a-b-E1	JET BLACK	9005
777-U-002-1-B01	B	a-c-E1	PURE WHITE	9010
777-U-002-1-C01	C	b-d-E1	LIGHT BLUE	5012
777-U-002-1-D01	D	c-d-E1	CLARET VIOLET	4004
777-U-002-1-E01	E	b-c-E1	MAY GREEN	6017
777-U-002-1-F01	F	a-d-E1	NUT BROWN	8011
777-U-002-1-G01	G	a-b-E2	PLATINUM GREY	7036
777-U-002-1-H01	H	a-c-E2	LIGHT PINK	3015
777-U-002-1-J01	J	b-d-E2	BEIGE	1001
777-U-002-1-K01	K	c-d-E2	CURRY	1027
777-U-002-1-L01	L	b-c-E2	YELLOW GREEN	6018
777-U-002-1-M01	M	a-d-E2	PASTEL ORANGE	2003



Part	Material
1	Housing diecast min. 2 μ m Sn over Ni
2	Plastic Housing PA GF30
3	Centre Pin contact brass min. 0,12 μ m Au over Ni
4	Insulator LCP (A03)

Projection - ISO 5456		Unit system - Metric	General tolerance	Note	Document type
All dim. in (mm) <td>ISO 2768 mH</td> <td></td> <td></td> <td>Acceptance drawing</td>		ISO 2768 mH			Acceptance drawing
Created by	Approved by	Title	Supplementary title	Rev.	Document number
cmuellingner		p.c.b. mount angle plug 12.00 pos	Anbauwinkelstecker 12.00 pos	A 04	5572HTP.1X20.00Z
		Date of issue	Lang.		Scale
		28.10.2019	EN		3:1
					Sheet
					1/1