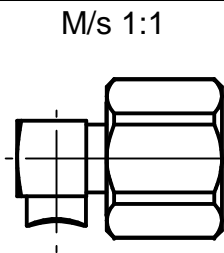
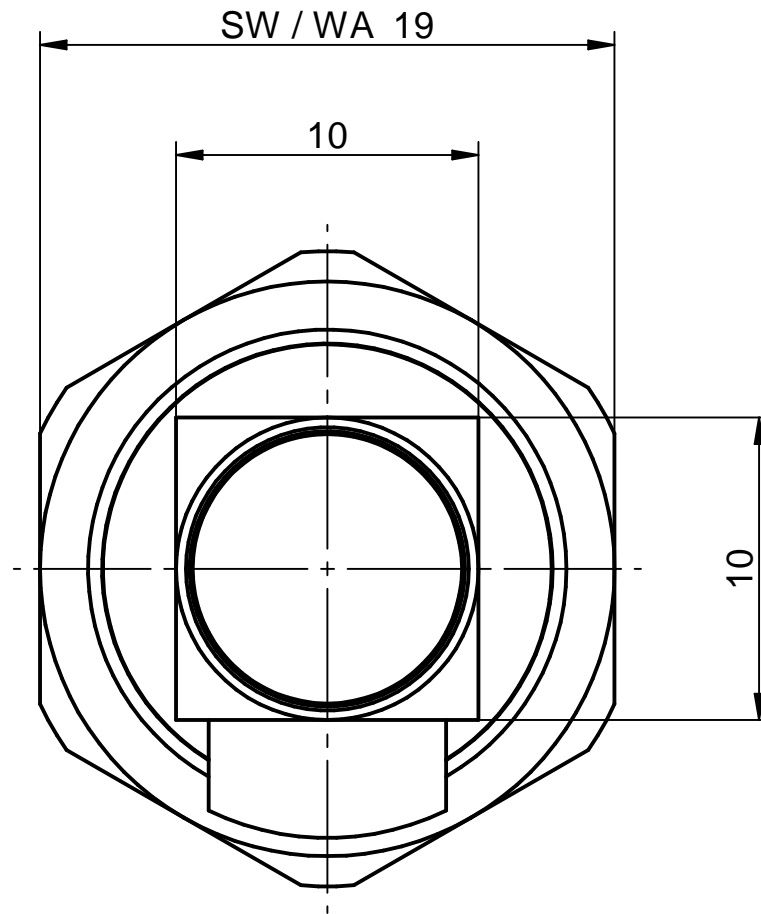
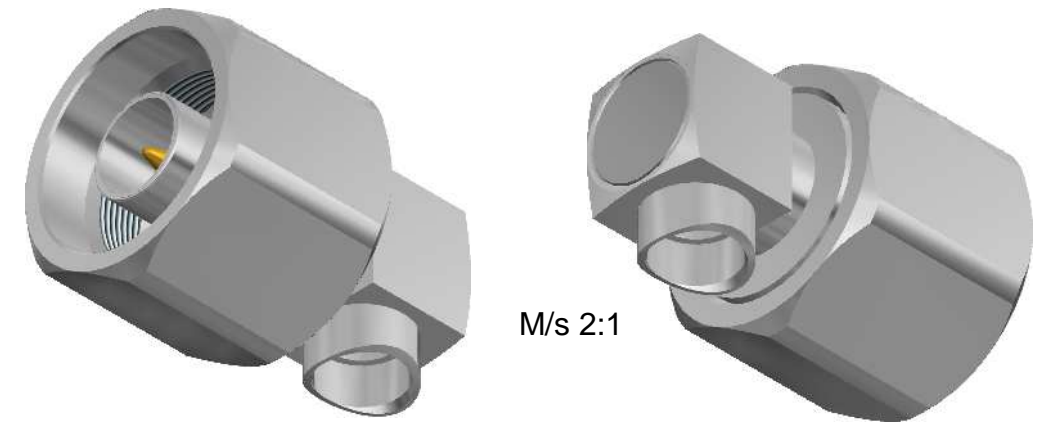
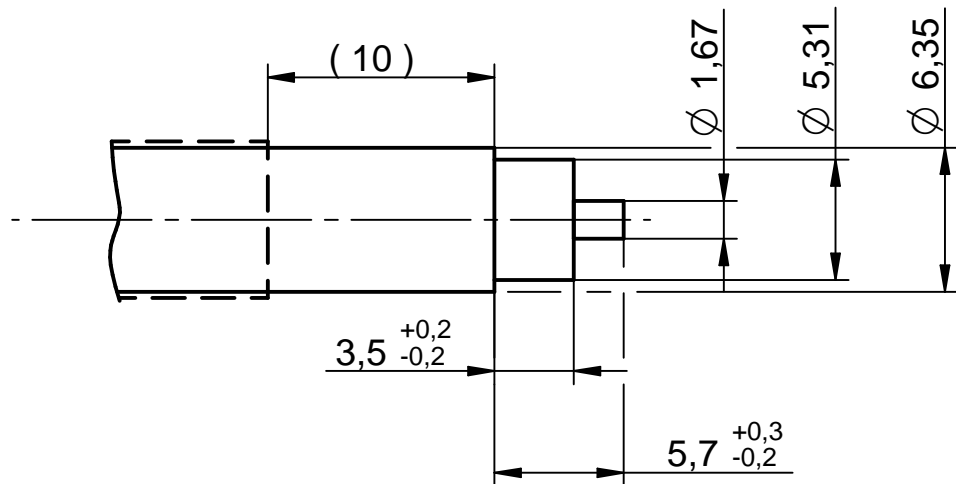


Steckbereich nach IEC 61169-16  
Mating area acc. to IEC 61169-16



Kabelzuschnitt / stripping dimension:

Kabel / cable: RG-401 , Flexiform 401 , UT-250



IMS CONNECTOR SYSTEMS		general tolerance ISO 2768 mH angle: $\pm 5^\circ$		scale: 1:1		
				Assembly instruction: Stripping dimension:		
			date	name	N(m)-Kabelwinkelstecker N(m)-cable mount angle plug	
			generate	1411.19		Pölz
			checked			
			Norm			
					5579.62.1820.08Z	
						Rev.
nr.	rev.	alteration	date	name	surface code	