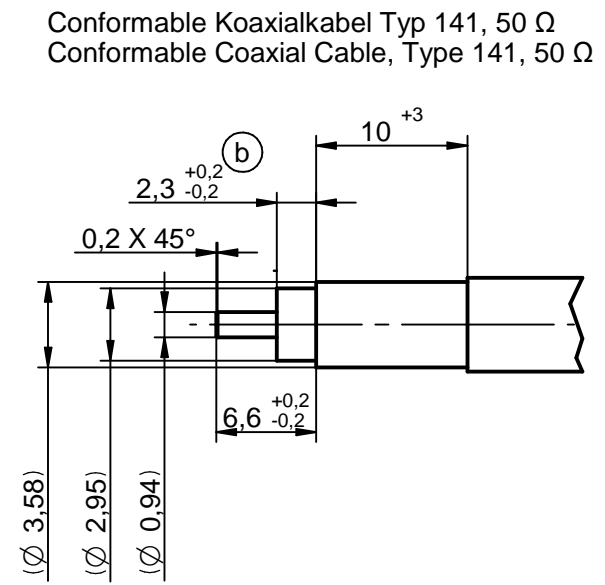
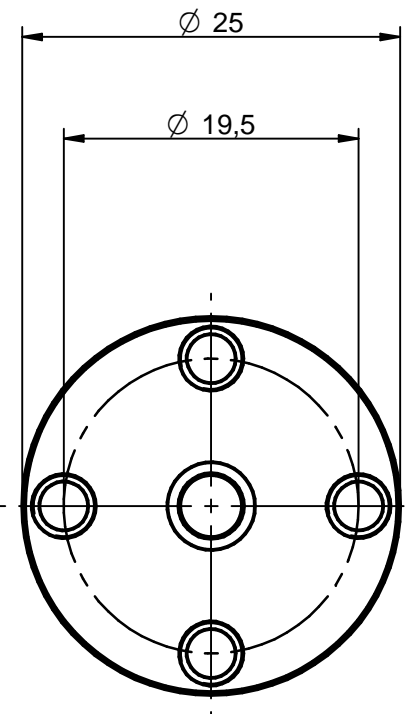
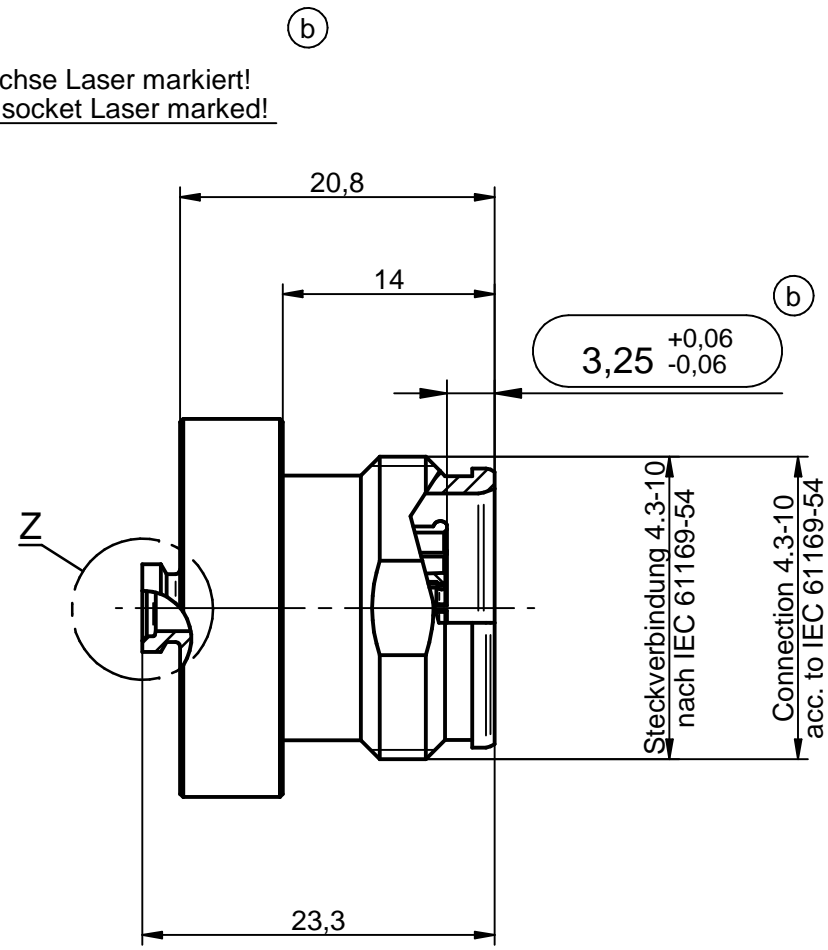
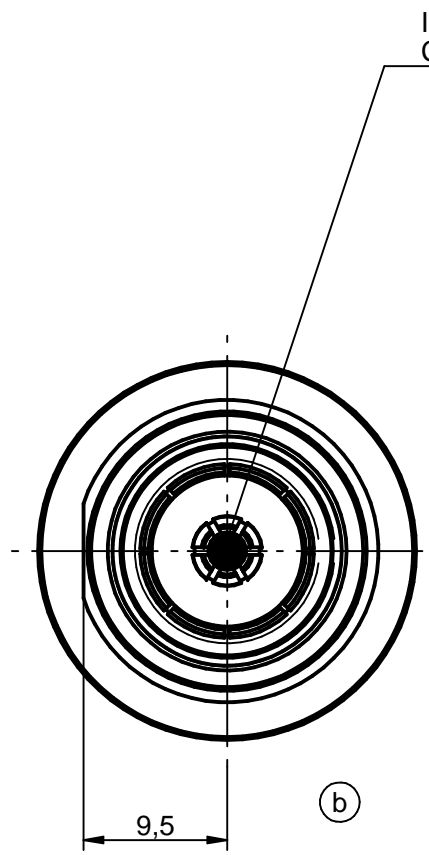
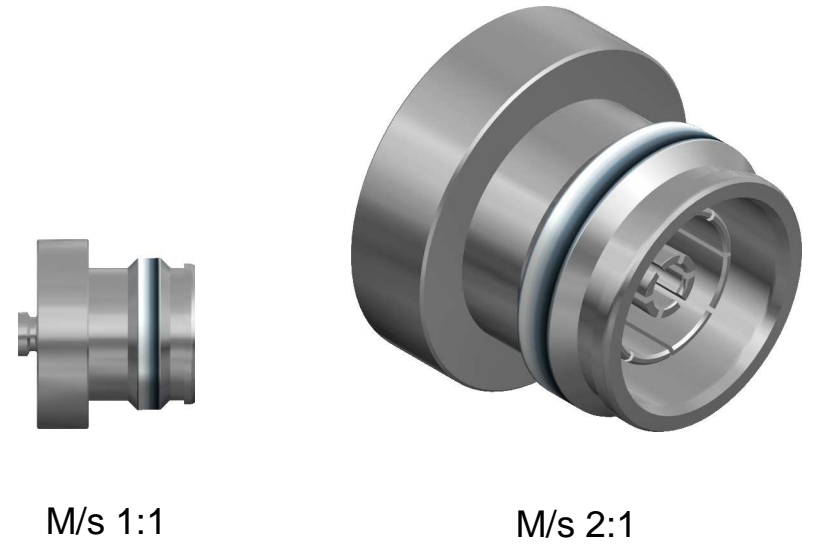
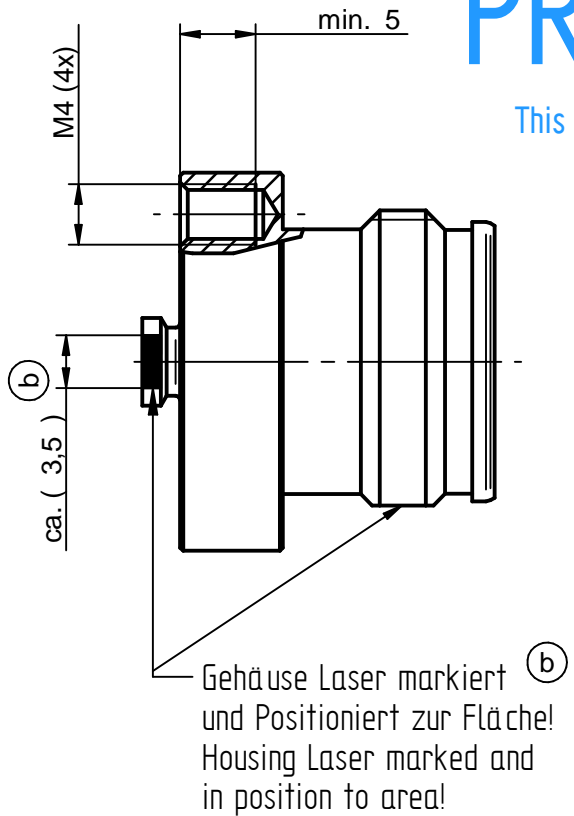


Revision history				
Change ID	Rev.	Alteration	Date	Name
design	a	complete revised	22.09.2020	Pözl
PEC_11769_01	b	laser marking added	23.11.2020	Phalmsi



**PRELIMINARY**  
This drawing is not replaced by changing



Projection - ISO 5456	Unit system - Metric	General tolerance	Note	Document type			
	All dim. in [mm]	ISO 2768 mH		Acceptance drawing			
Created by	Approved by	Title	Drawing number		surface code	Scale	
Pözl	phalm / 22.09.20	4.3/10(f) cable mount jack	5639.VDZ.2810.07Z			2:1	
Supplementary title			Rev.	Date of issue	Lang.	Sheet	
4.3/10(f) Kabelbuchse			b	09.09.2020	EN	1/1	

ISO 16016 All copyrights reserved. This drawing can neither be copied nor made available to third parties or competitor companies without our written permission.