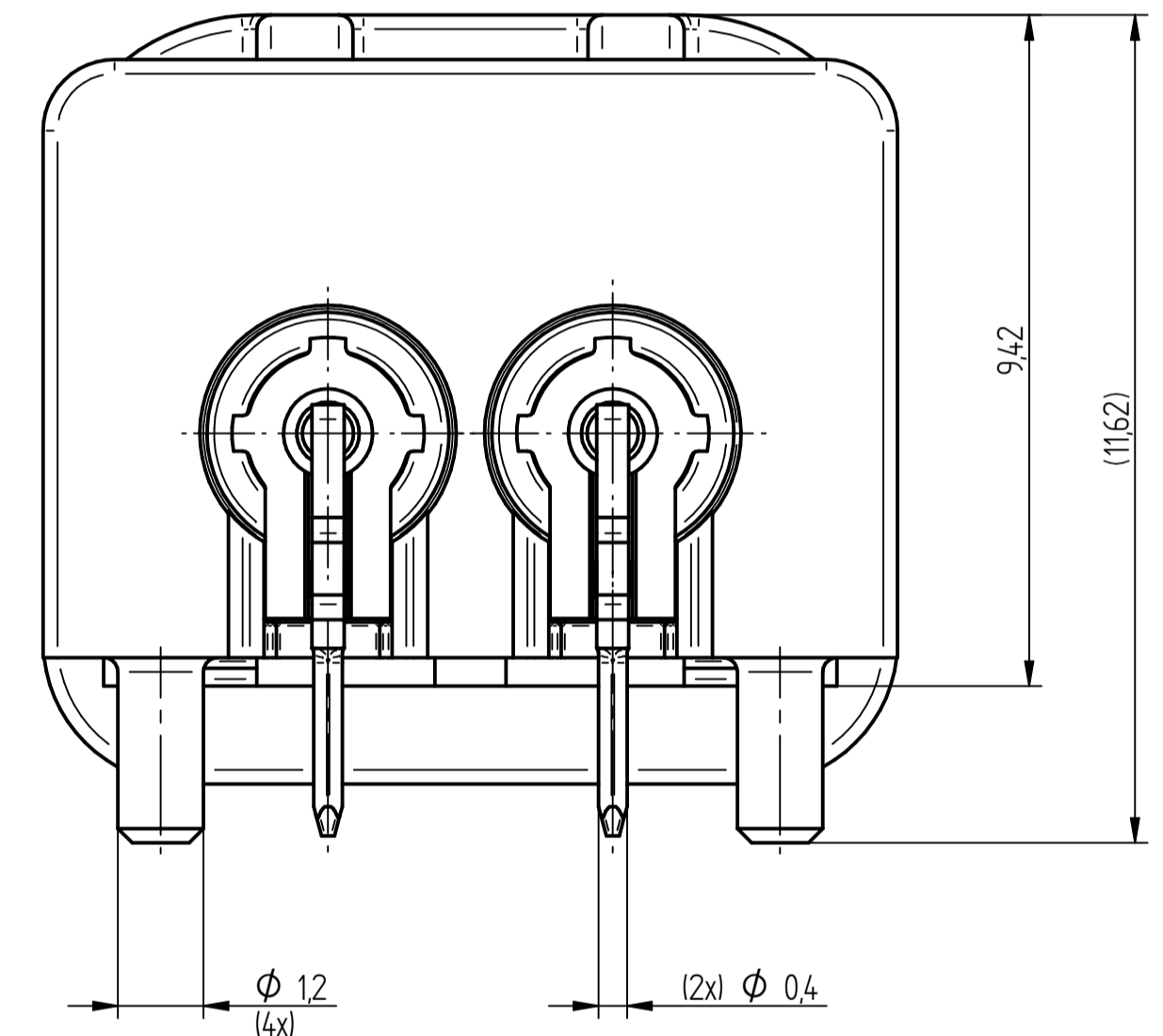
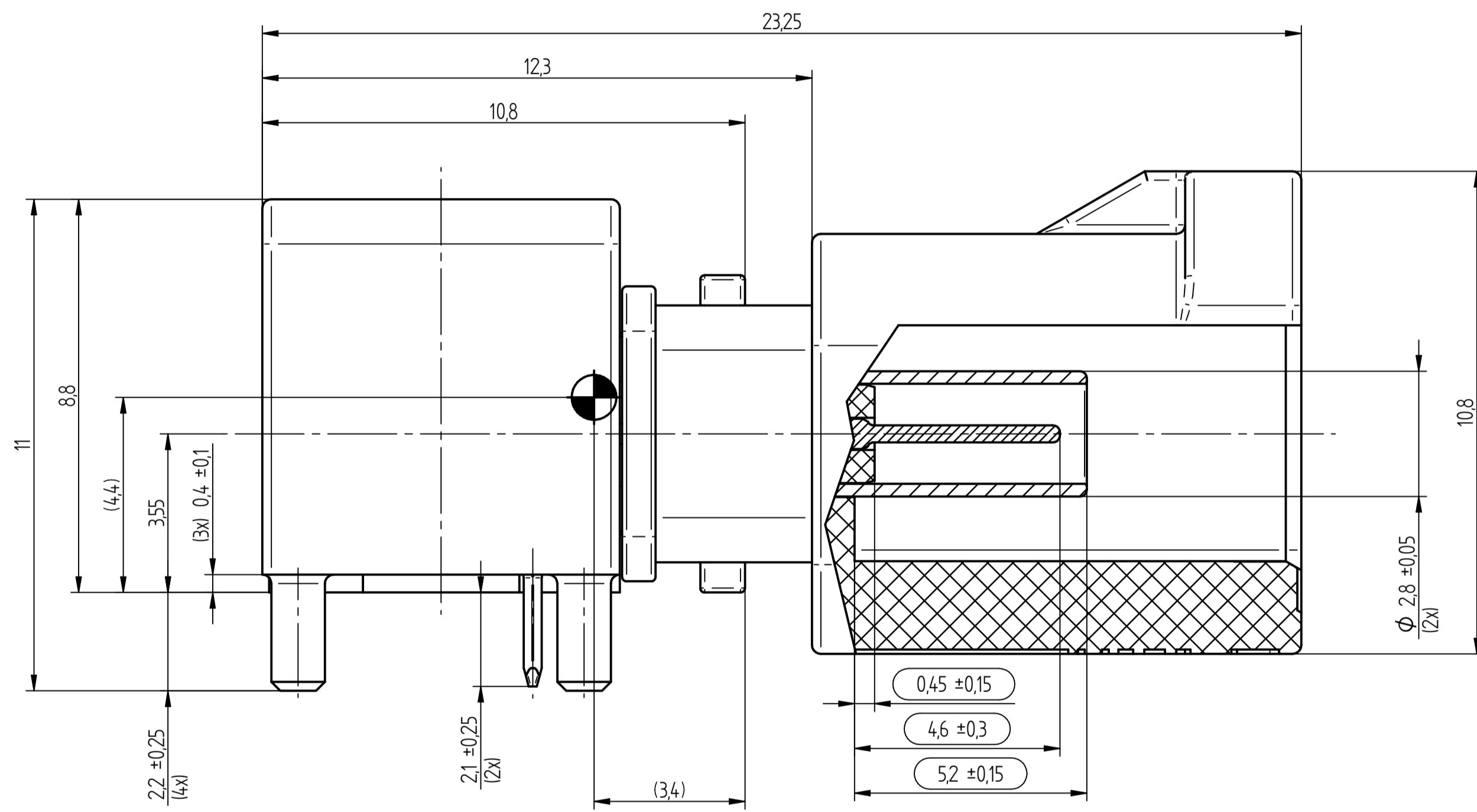
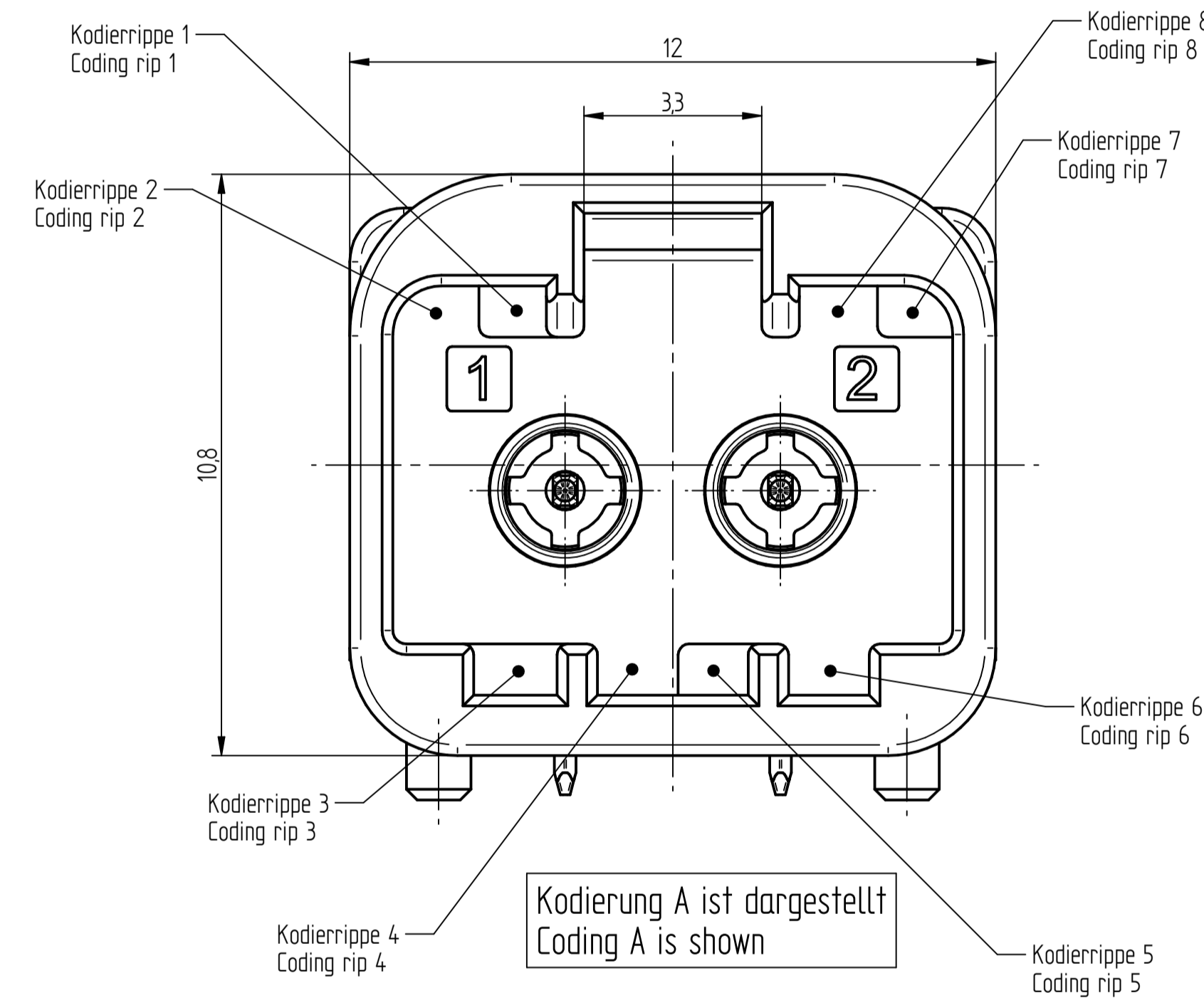
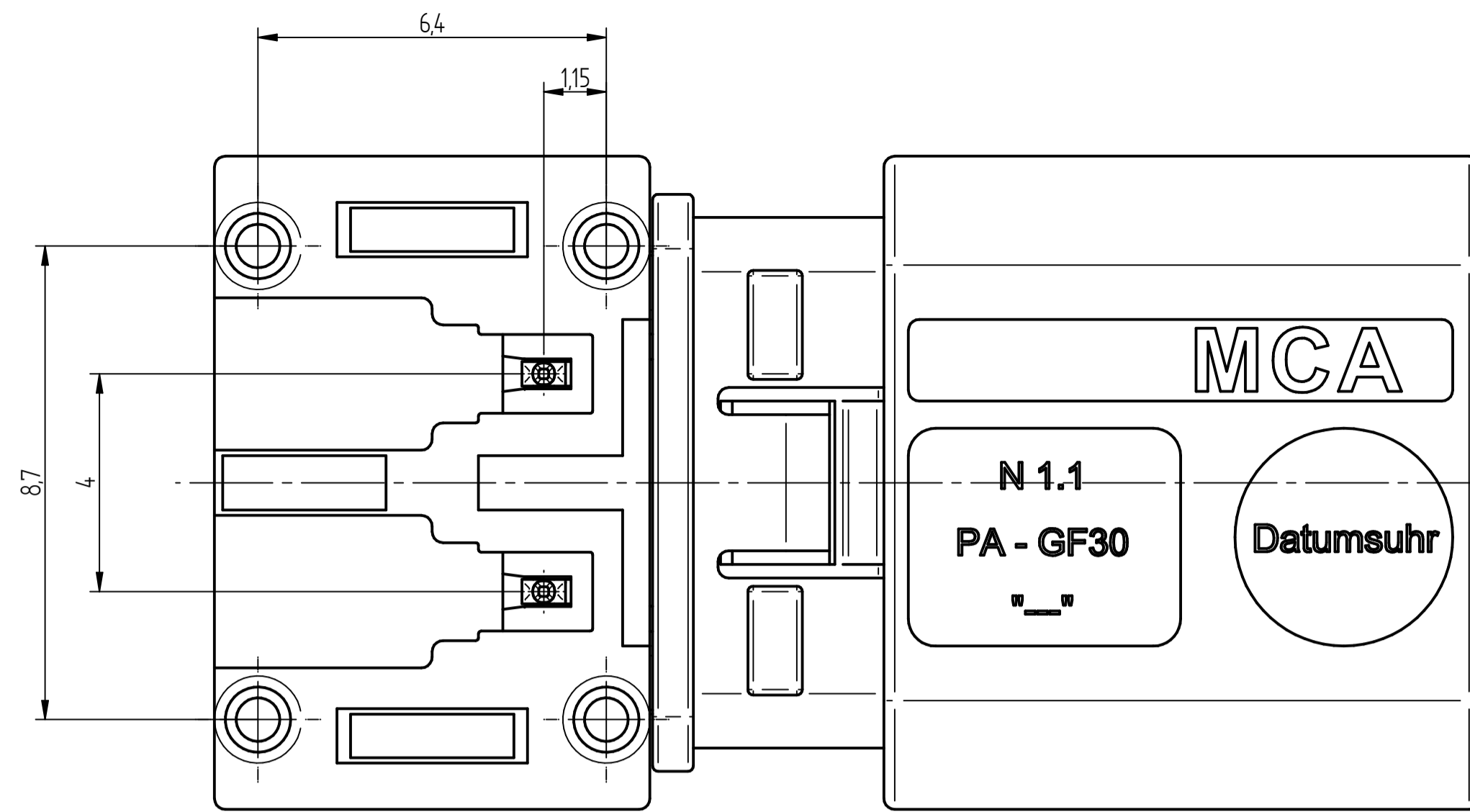
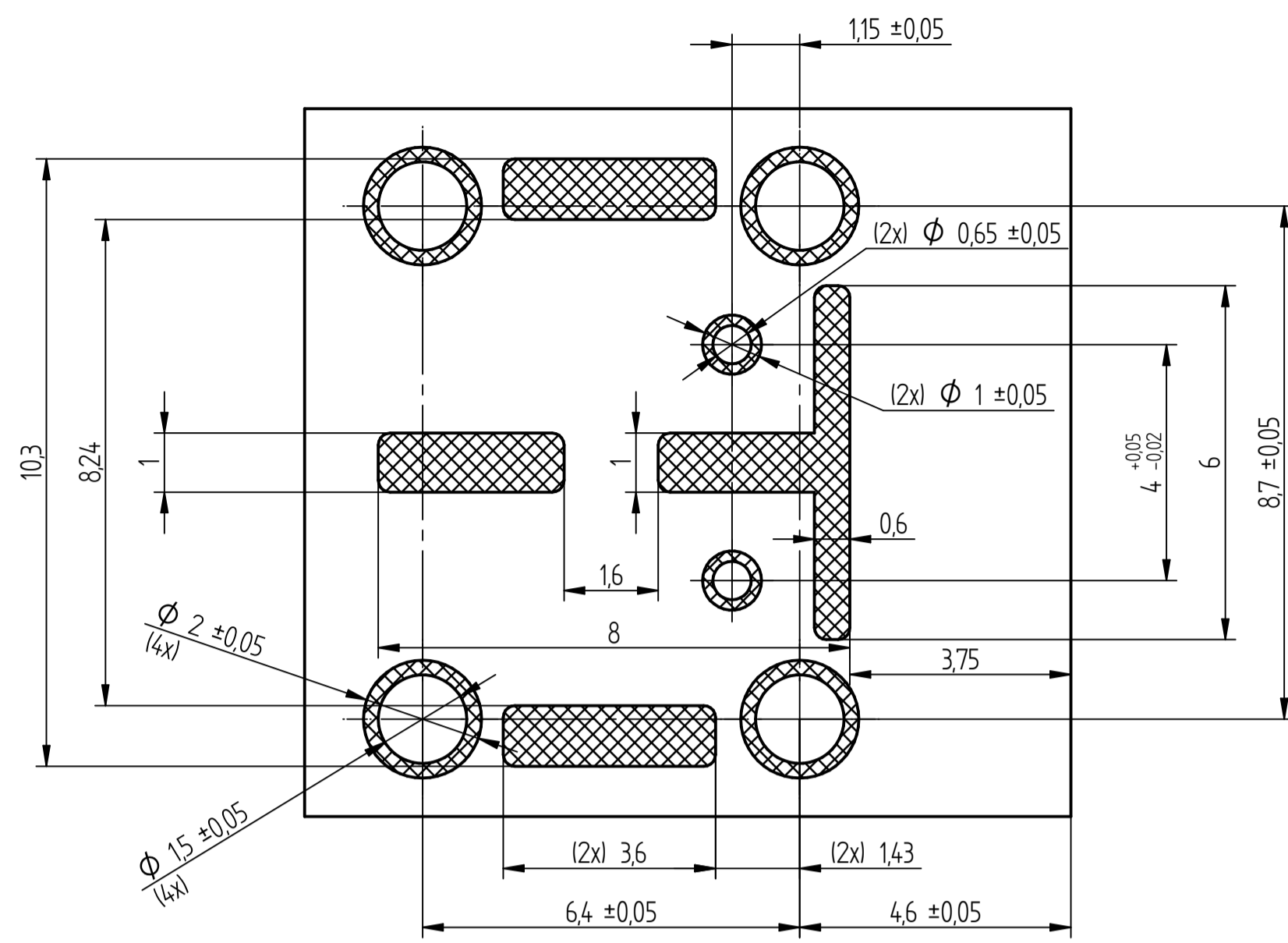


Empfohlenes Leiterplattenlayout - (nur zur Information)
Recommended PCB Footprint - (only for information)



Revision history				
Change ID	Rev	Alteration	Date	Name
Design	A01	Change acc. sim	30.04.21	rschwaer
Design	A02	Add. tape & reel	06.08.21	rschwaer
Design	A03	Cap. c.p. & LCP insu	15.03.22	rschwaer
Design	A04	Change to Rev. - Ver. + new sim	07.10.22	rschwaer

Kodierungsvariante "X" muss in Zeichnungsnummer festgelegt werden, wenn eine Bestellung ausgelöst wird.

Coding Type "X" have to be stated within the drawing number, when an order is placed

Kodierungsvariante Coding Type "X"	Kodiernut 1 Coding 1	Kodiernut 2 Coding 2	Kodiernut 3 Coding 3	Kodiernut 4 Coding 4	Kodiernut 5 Coding 5	Kodiernut 6 Coding 6	Kodiernut 7 Coding 7	Kodiernut 8 Coding 8	Farbe color	ähnlich RAL similar RAL	
	A	gesperrt closed	offen open	gesperrt closed	offen open	gesperrt closed	offen open	gesperrt closed	offen open	tiefschwarz jet black	9005
	B	offen open	gesperrt closed	offen open	gesperrt closed	offen open	gesperrt closed	offen open	gesperrt closed	reinweiss pure white	9010
	C	gesperrt closed	offen open	gesperrt closed	offen open	offen open	gesperrt closed	offen open	gesperrt closed	lichtblau light blue	5012
	D	offen open	gesperrt closed	offen open	gesperrt closed	gesperrt closed	offen open	gesperrt closed	offen open	bordeauxviolett claret violet	4004
	E	offen open	offen open	gesperrt closed	gesperrt closed	offen open	offen open	gesperrt closed	gesperrt closed	maigrün may green	6017
	F	gesperrt closed	gesperrt closed	offen open	offen open	gesperrt closed	gesperrt closed	offen open	offen open	nussbraun nut brown	8011
	Z	offen open	offen open	offen open	offen open	offen open	offen open	offen open	offen open	wasserblau waterblue	5021

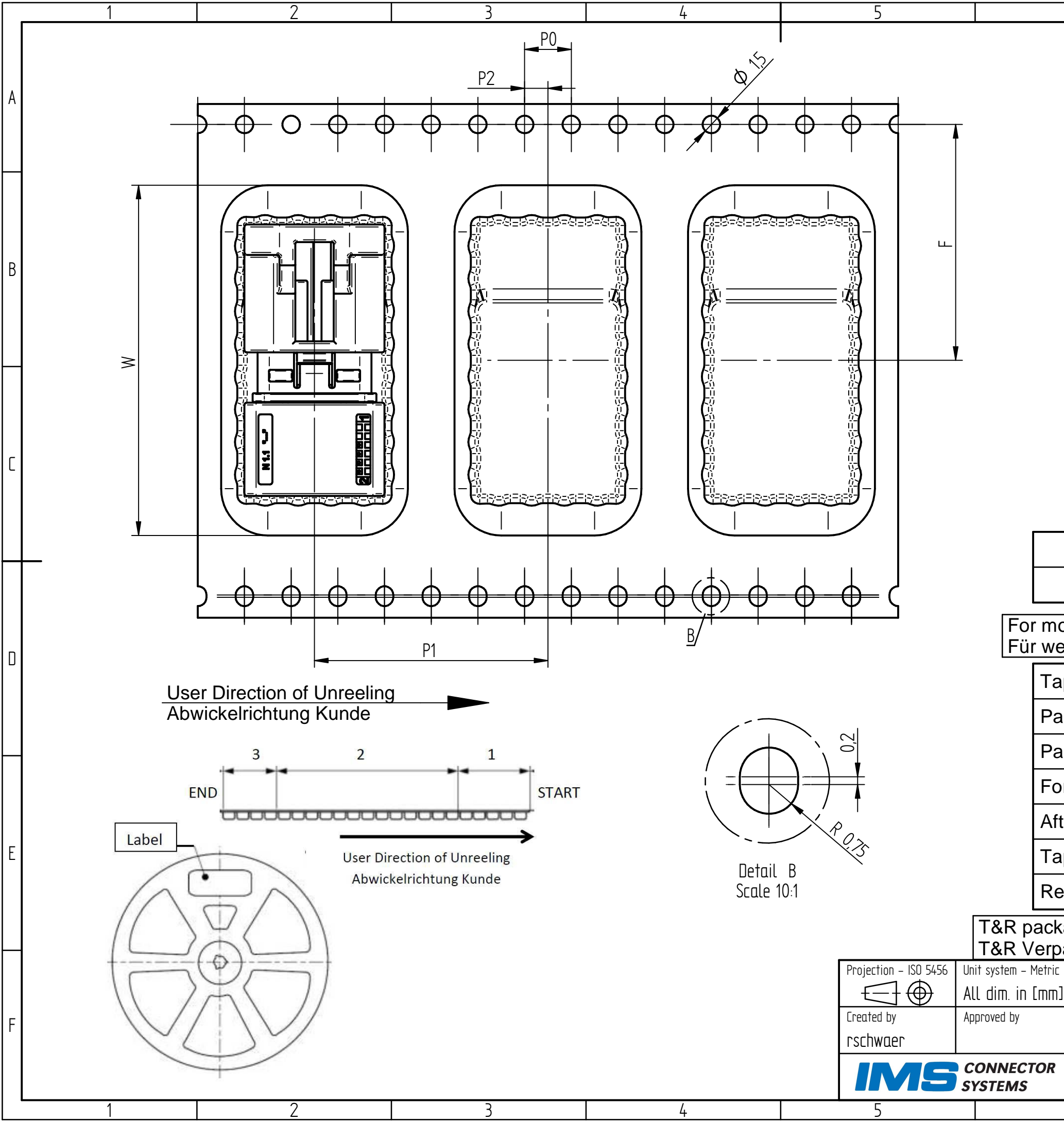
		Variable Z = Plating / surface code			
Part	Material			7	
Housing	diecast			Sn	
Plastic Housing	PA GF-30				
Centre Pin contact side	brass			Ag	
Centre Pin pcb side	brass			Ag	
Outer Contact contact side	brass			Sn	
Outer Contact pcb side	diecast			Sn	
Insulator	LCP				



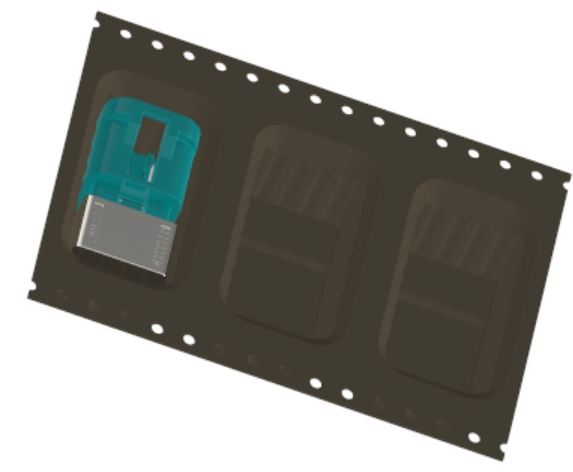
Projection - ISO 5456	Unit system - Metric	General tolerance	Note	Document type
	ISO 2768 mH	ALL dim. in [mm]		Acceptance drawing
Created by rschwaer	Approved by	Title MCAIml-p.c.b. mount angle plug-2-pol	Supplementary title MCAIml-Anbauwinkelstecker-2-pol	Drawing number 5649MCA1X20.00Z
Scale 10:1	Rev	Date of issue 18.02.2021	Lang EN	Sheet 1/2

Status Development

ISO 16016
 All copyrights reserved. This drawing can neither be copied nor made available to third parties or competitor companies without our written permission.



Revision history				
Change ID	Rev.	Alteration	Date	Name
Deign	A01	Change acc. sim.	30.04.21	rschwaer
Design	A02	Add. tape & reel	06.08.21	rschwaer
224007	A03	Cap. c.p. & LCP insu.	15.03.22	rschwaer
Design	A04	Change to Rev. - Ver. + new sim. 5497	07.10.22	rschwaer



Tape size (W)	P0	P1	P2	F
44	4	20	2	20,2

For more information on the tape and reel drawing: AGK-4885
 Für weitere Angaben auf der Blistergurtzeichnung: AGK-4885

Tape and reel	Blistergurt	AGK-4885
Parts/reel (2)	Stck/Gurt (2)	330
Parts/m	Stck/m	50
Forward run (1)	Vorlauf (1)	0,4m
After run (3)	Nachlauf (3)	0,4m
Tape length	Gurtlänge	ca./app. 7,5m
Reel diameter	Spulendurchmesser	380mm

T&R packaging is in accordance with EIA-481D and IEC-60286-3
 T&R Verpackung nach EIA-481D and IEC-60286-3

Projection - ISO 5456 	Unit system - Metric ALL dim. in [mm]	General tolerance ISO 2768 mH	Note	Document type Tape & Reel			
Created by rschwaer	Approved by	Title MCA(m)-p.c.b. mount angle plug-2-pol	Drawing number 5649.MCA.1X20.00Z		Scale 1:1		
IMS CONNECTOR SYSTEMS		Supplementary title MCA(m)-Anbauwinkelstecker-2-pol	Rev. A 04	Date of issue 18.02.2021	Lang. EN	Sheet 2/2	