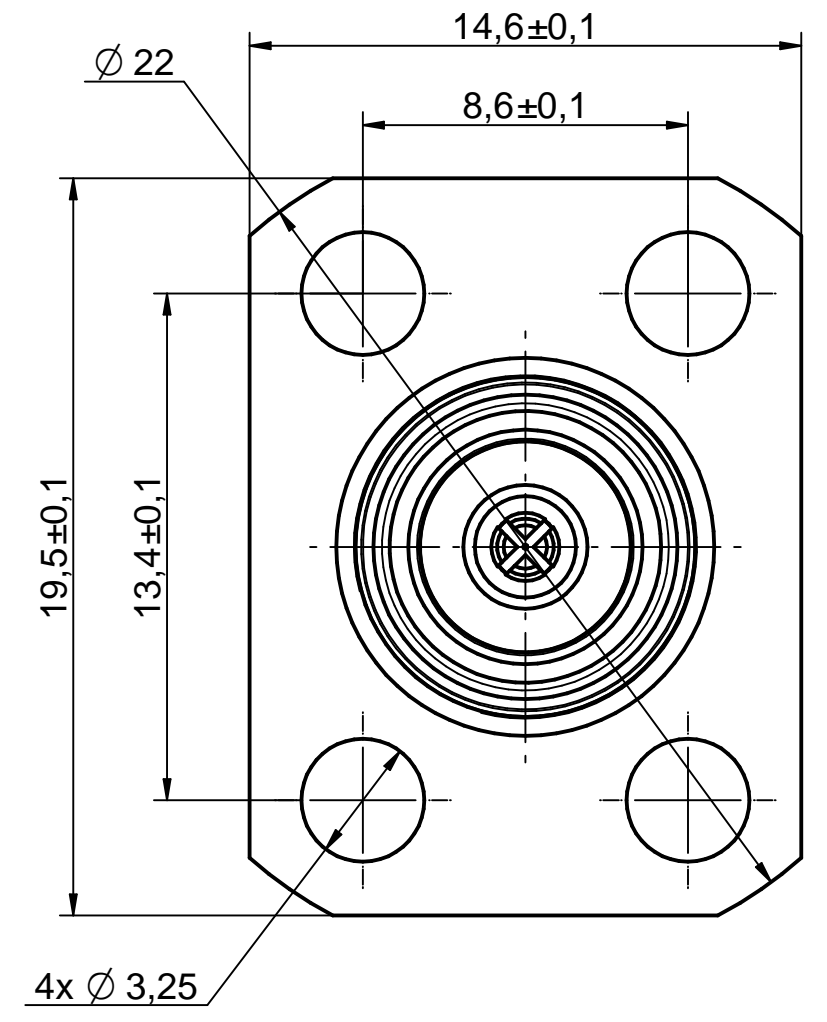
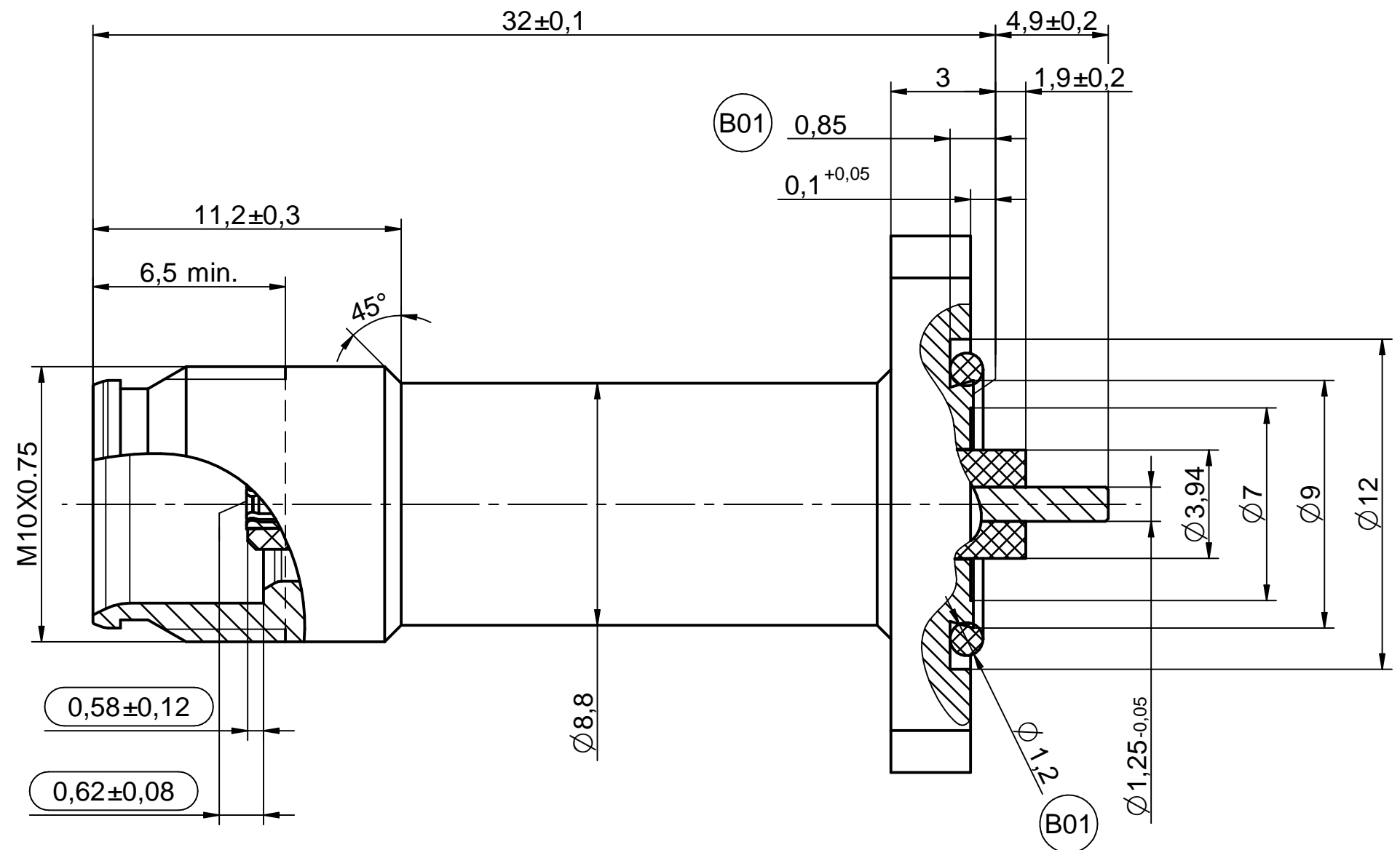


Status: Release

Revision history

Change ID	Rev.	Alteration	Date	Name
EC_027_20_CN	A	redesign	15.07.20	Dony
EC_022_23_CN	B01	modify dimension	05.07.23	junchen



$0,58 \pm 0,12$

$0,62 \pm 0,08$

$\varnothing 8,8$

B01



Projection - ISO 5456 	Unit system - Metric All dim. in [mm]	General tolerance ISO 2768 mH	Assembly instruction	Document type Assembly drawing			
Created by dni	Approved by dni	Title NEX10 flange mount jack	Drawing number 7693.NEX.2018.19Z		surface code	Scale 2:1	
Supplementary title NEX10 flange mount jack			Rev. B 01	Date of issue 10.10.2019	Lang. EN	Sheet 1/1	



ISO 16016

All copyrights reserved. This drawing can neither be copied nor made available to third parties or competitor companies without our written permission.

A3