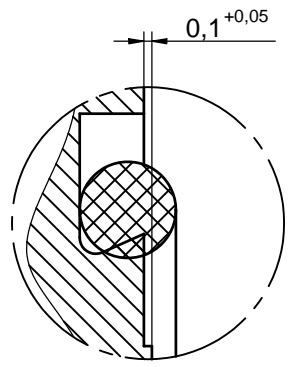
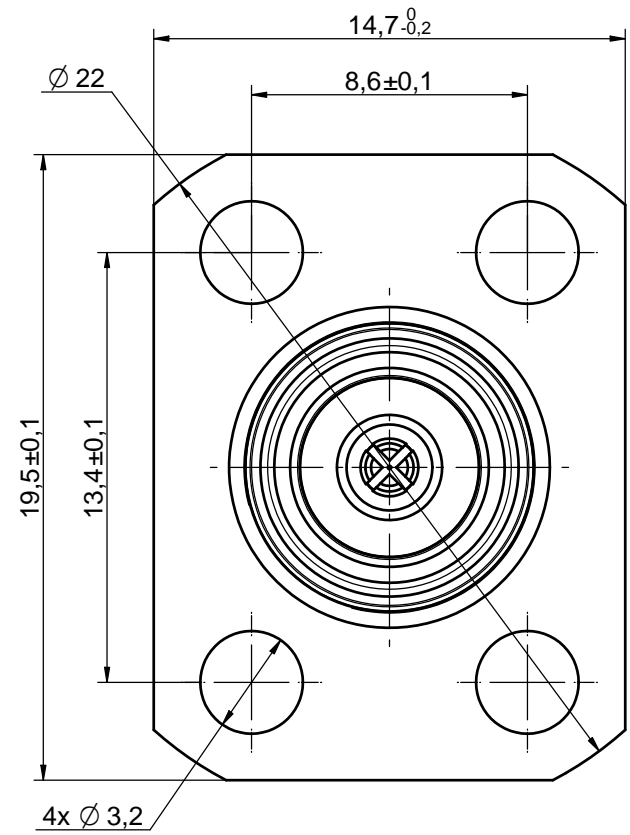
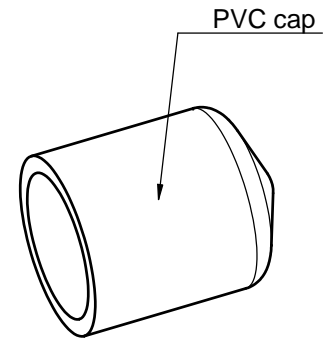


0,58±0,12

0,62±0,08



detail A  
15:1



PVC cap



IMS CONNECTOR SYSTEMS		General Tolerance	ISO 2768	scale: 6:1	unit: mm
		ISO2768	-H		
		mH	0,5-3 ±0,1		
		angle: ±5°	3,0-6 ±0,1		
			6-30 ±0,2		
		date	name	NEX10 flange mount jack	
		2019/12/20	Dony, Ni		
		checked	Beck, Lu		
		norm			
				7709.NEX.2018.19Z	Rev.
nr	rev			alteration	date