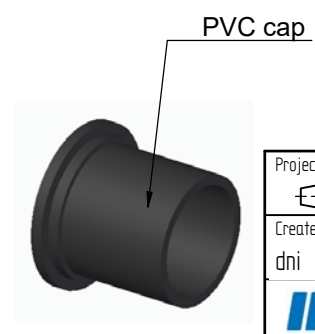
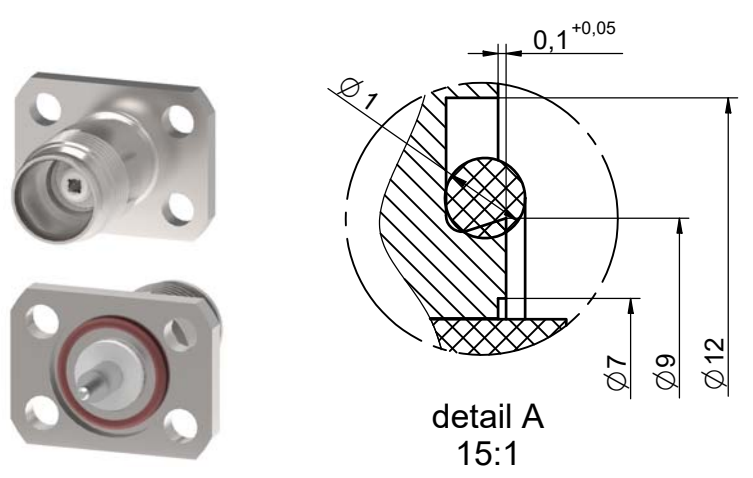
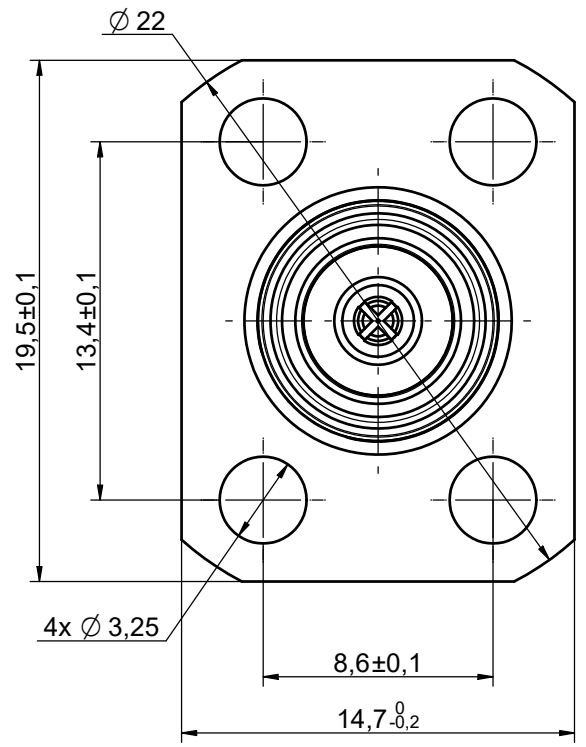
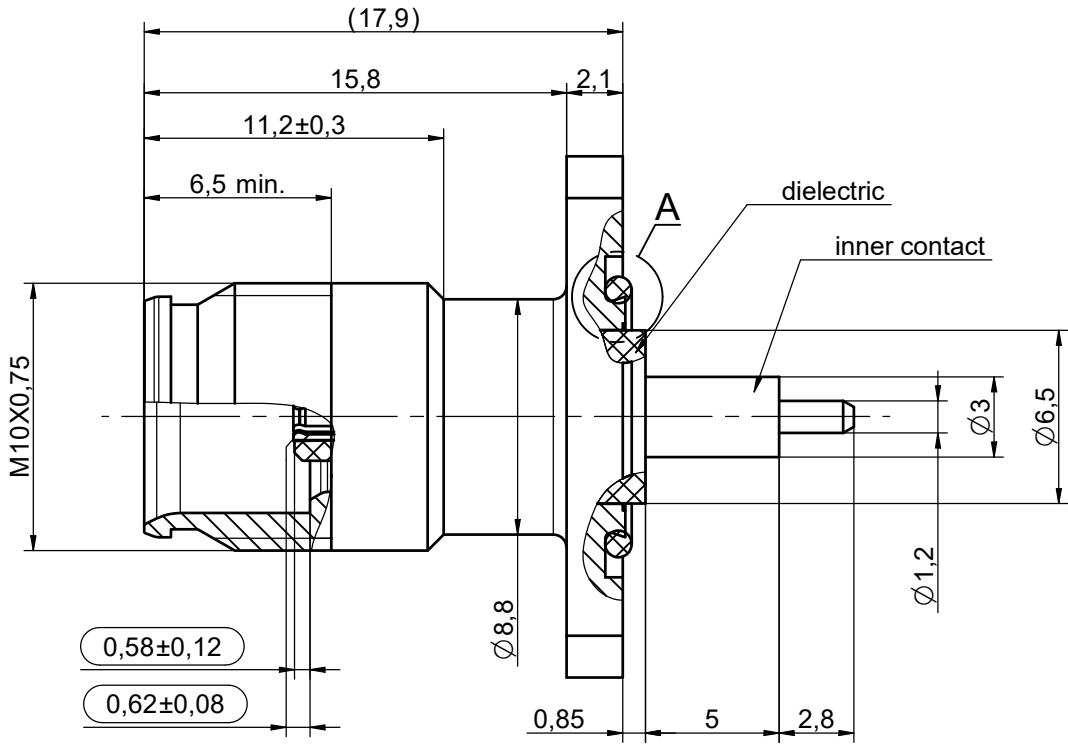


Revision history				
Change ID	Rev.	Alteration	Date	Name
EC_029_20_CN	a	mod. cap	24.07.20	dni
EC_044_21_CN	b	mod. o-ring	06.12.21	dni



Projection - ISO 5456 	Unit system - Metric All dim. in [mm]	General tolerance ISO 2768 mH	Assembly instruction	Document type Acceptance drawing	
Created by dni	Approved by Beck lu	Title NEX10 flange mount jack	Drawing number 7712NEX.2018.19Z		Scale 2:1
Supplementary title NEX10 flange mount jack			Rev. B 01	Date of issue 18.03.2020	Lang. EN
IMS CONNECTOR SYSTEMS			Sheet 1/1		

ISO 16016
All copyrights reserved. This drawing can neither be copied nor made available to third parties or competitor companies without our written permission.

1 2 3 4 5 6 7 8

A

B

C

D

E

F

A

B

C

D

E

F

1 2 3 4 5 6 7 8 A3