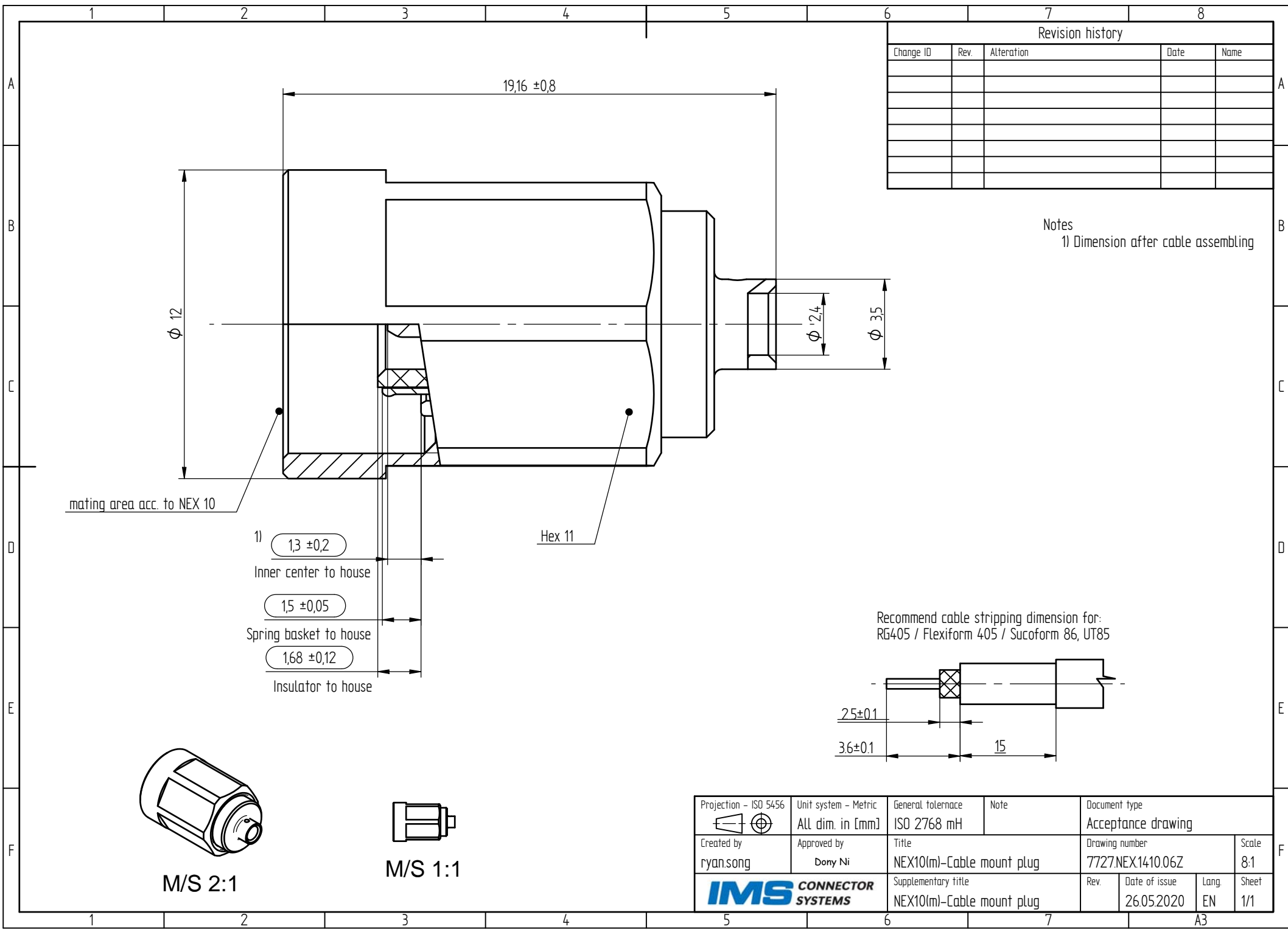


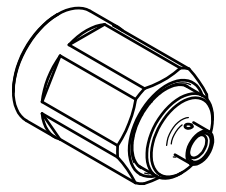
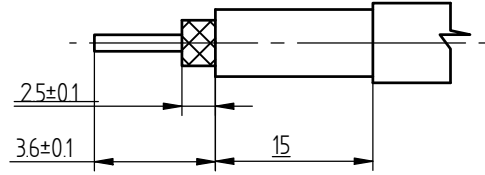
ISO 16016
 All copyrights reserved. This drawing can neither be copied nor made available to third parties or competitor companies without our written permission.



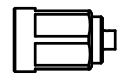
Revision history				
Change ID	Rev.	Alteration	Date	Name

Notes
 1) Dimension after cable assembling

Recommend cable stripping dimension for:
 RG405 / Flexiform 405 / Sucoform 86, UT85



M/S 2:1



M/S 1:1

Projection - ISO 5456 	Unit system - Metric All dim. in [mm]	General tolerance ISO 2768 mH	Note	Document type Acceptance drawing		
Created by ryan.song	Approved by Dony Ni	Title NEX10(m)-Cable mount plug		Drawing number 7727.NEX1410.06Z		Scale 8:1
		Supplementary title NEX10(m)-Cable mount plug		Rev.	Date of issue 26.05.2020	Lang. EN
						Sheet 1/1