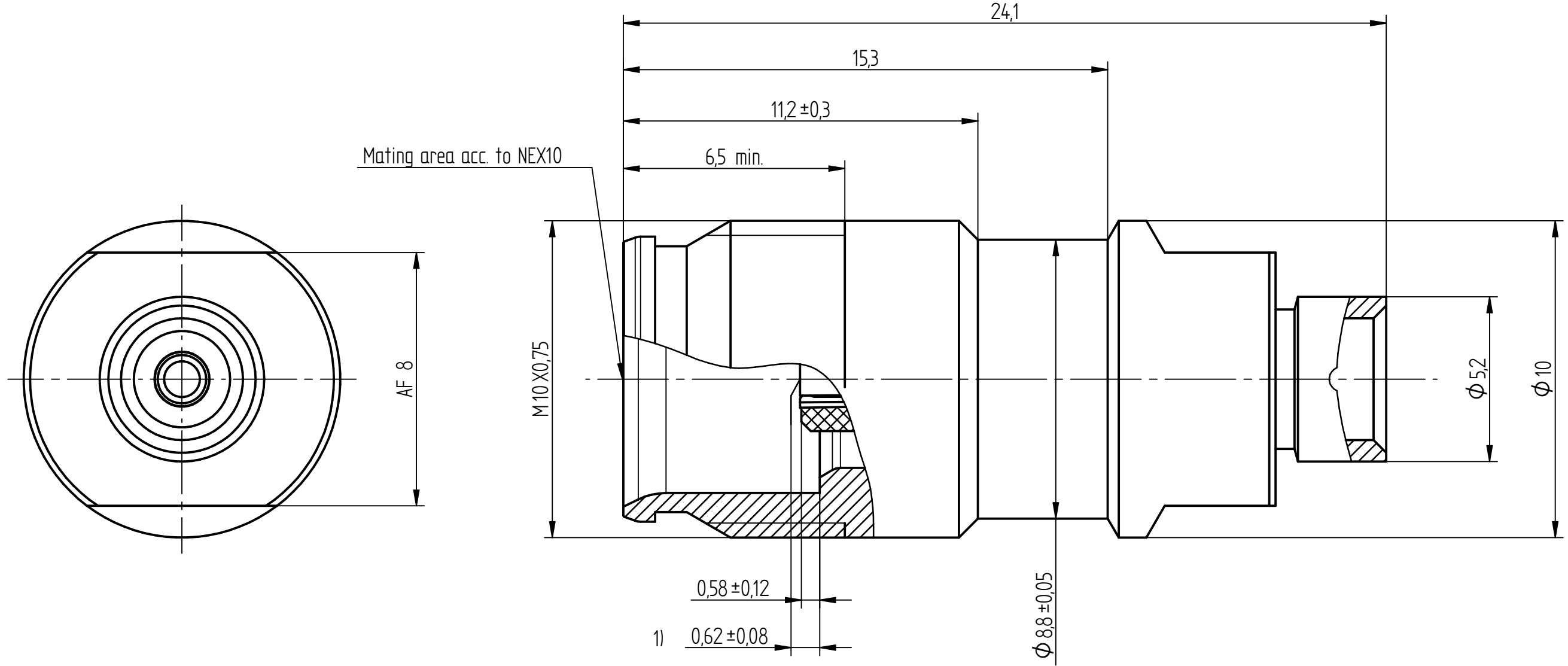
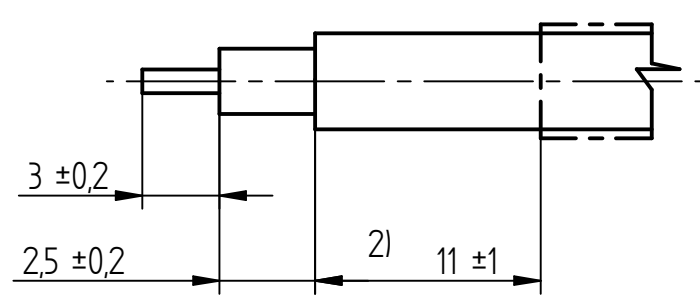
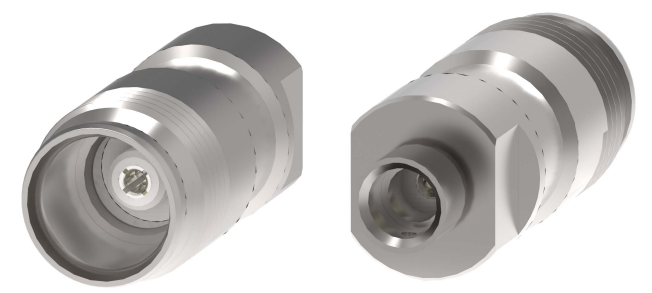


Revision history				
Change ID	Rev.	Alteration	Date	Name



recommend cable stripping dimension for  
 RG402 / Flexiform 402 / Sucoform 141, UT141 / 670-141 LSZH



2) stripping for cable with plastic jacket

1) dimension after cable assembling

Projection - ISO 5456 	Unit system - Metric All dim. in [mm]	General tolerance ISO 2768 mH	Assembly instruction	Document type Acceptance drawing			
Created by dni	Approved by	Title NEX10 cable mount jack	Drawing number 7780.NEX.2110.07Z		Scale 10:1		
<b>IMS CONNECTOR SYSTEMS</b>		Supplementary title NEX10 cable mount jack	Rev.	Date of issue 01.04.2021	Lang. EN	Sheet 1/1	

ISO 16016 All copyrights reserved. This drawing can neither be copied nor made available to third parties or competitor companies without our written permission.