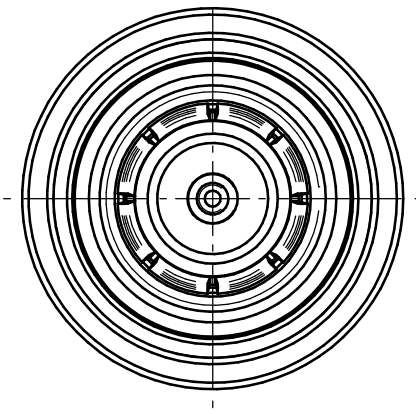
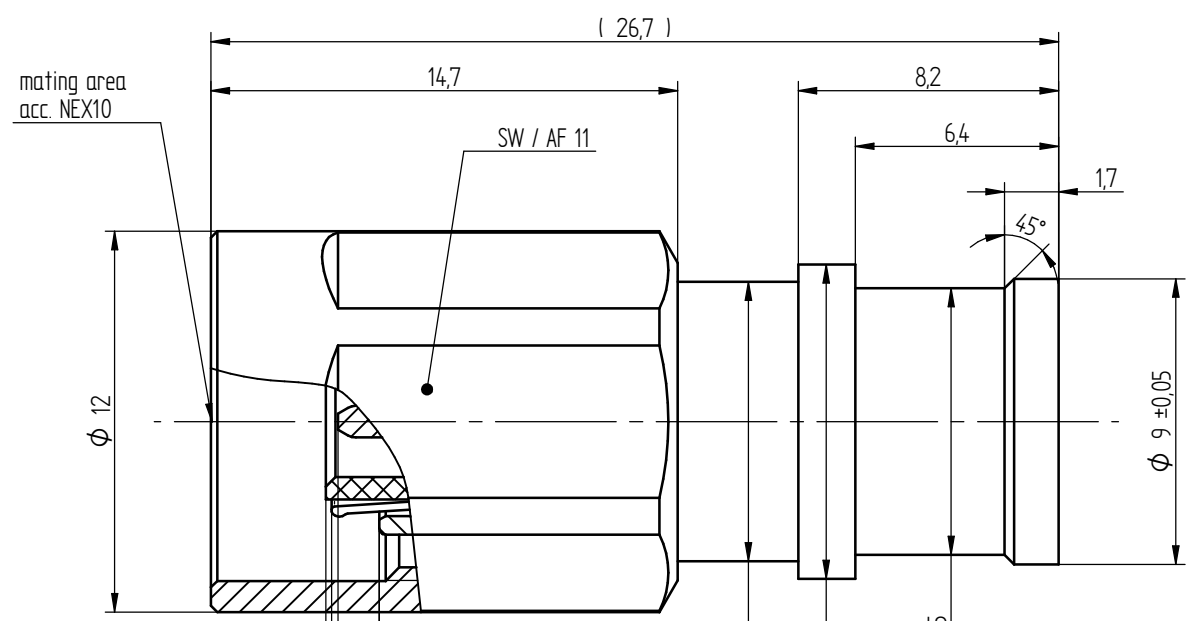


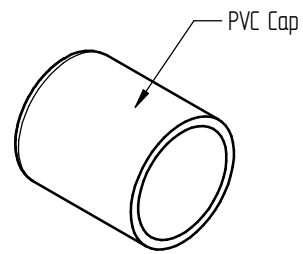
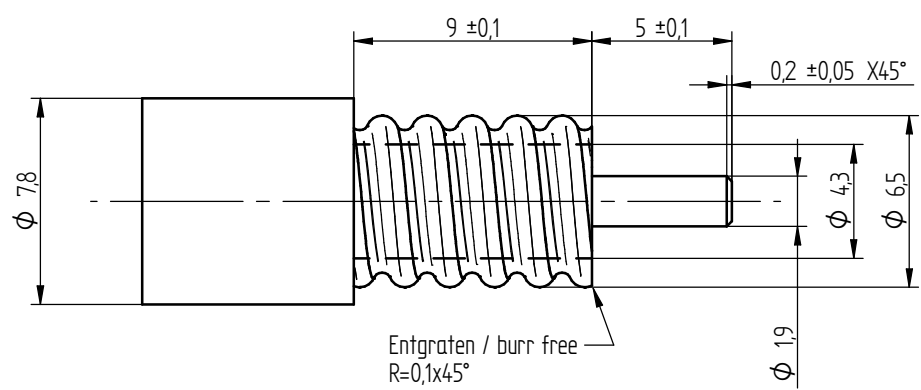
Revision history

| Change ID | Rev. | Alteration | Date | Name |
|-----------|------|------------|------|------|
| | | | | |
| | | | | |
| | | | | |
| | | | | |
| | | | | |
| | | | | |
| | | | | |
| | | | | |
| | | | | |



- 1) 1.3 ± 0.2
contact socket
- 1.5 ± 0.05
spring basket
- 1.68 ± 0.12
insulator

Stripping dimension for cable RFS SCF14-50J



1) Dimension after cable assembling (1.3 ± 0.2).

| | | | | | |
|---------------------------|--|---|-------------------------------|-------------------------------------|-----------------------------|
| Projection - ISO 5456 | Unit system - Metric ALL dim. in [mm] | General tolerance ISO 2768 mH | Assembly instruction M-284 | Document type Acceptance drawing | |
| Created by dni | Approved by Dony Ni | Title NEX10 cable mount plug | | Drawing number 7844.NEX1410.08Z | Scale 6:1 |
| | | Supplementary title NEX10 cable mount plug | | Rev. A 02 | Date of issue 27/06/2022 |
| | | Lang. EN | Sheet 1/2 | | |