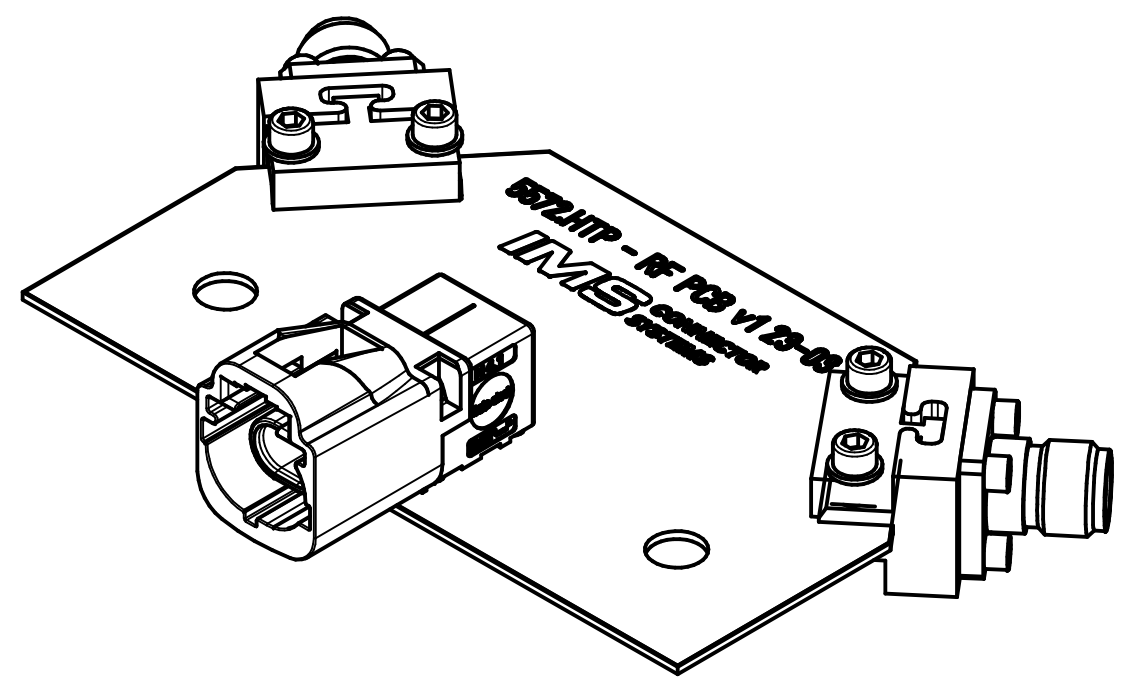
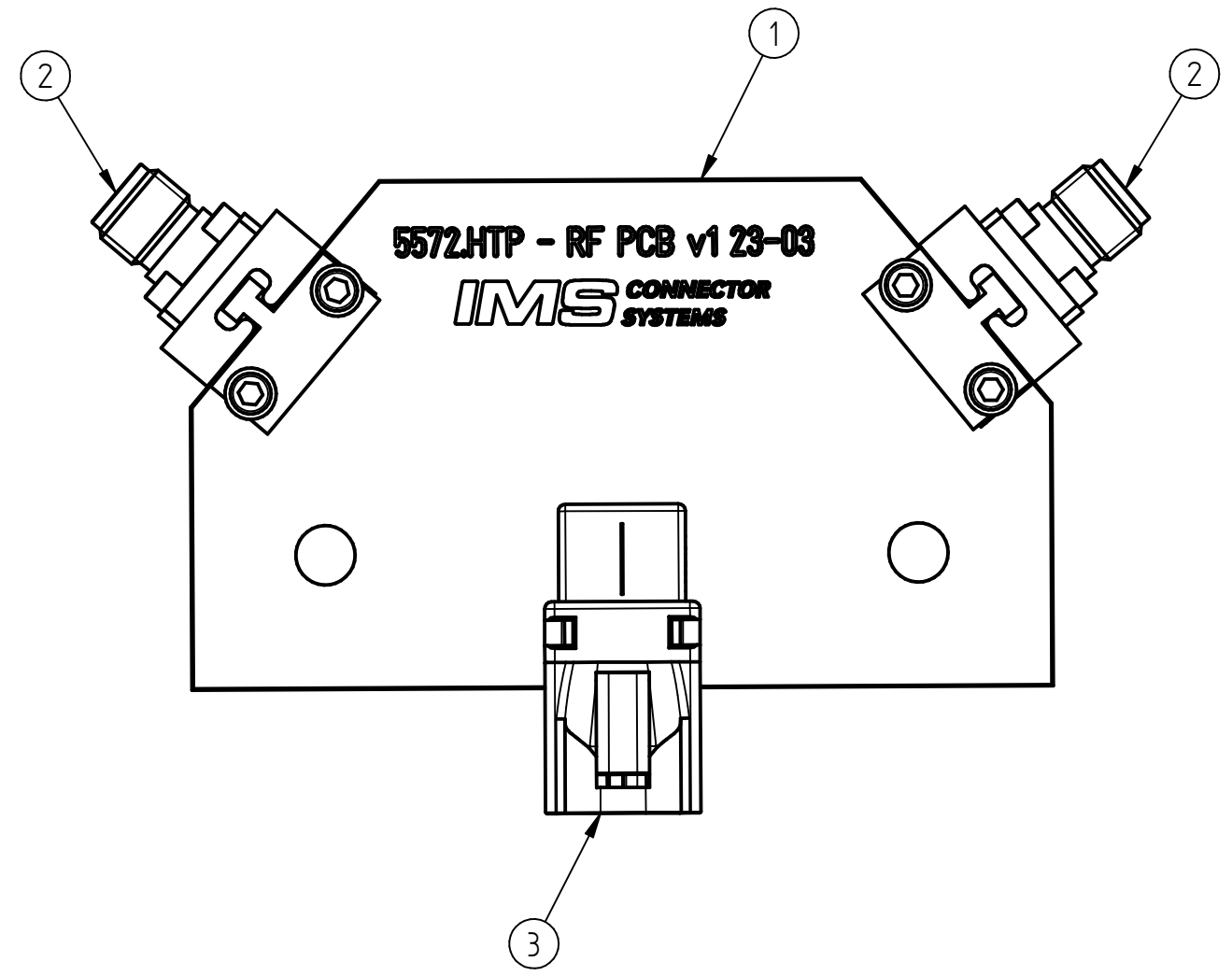
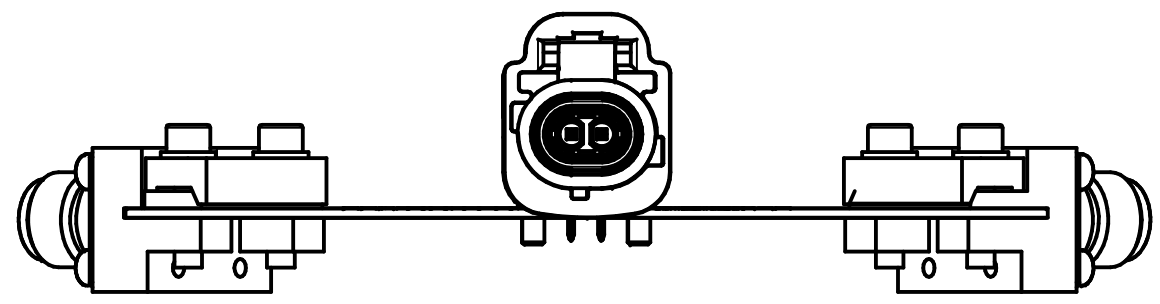


Status: Development

Confidential
Preliminary

Revision history				
Change ID	Rev.	Alteration	Date	Name
design	A02	revised	07.07.23	ifasold



1	PCB	AGK-4761-POS.1	1
2	SMA Jack (f)	AGK-4991	2
3	p.c.b. mount angle plug	5572.HTP.1X20.00Z	1

Projection - ISO 5456 	Unit system - Metric All dim. in [mm]	General tolerance ISO 2768 mH	Note	Document type Acceptance drawing
Created by cmuelliger	Approved by	Title Measuring kit for 5572.HTP.1X20.007	Drawing number AGK-4761	Scale 2:1
IMS CONNECTOR SYSTEMS		Supplementary title Mess Kit für 5572.HTP.1X20.007	Rev. A 02	Date of issue 27.11.2019
			Lang. EN	Sheet 1/2

ISO 16016
All copyrights reserved. This drawing can neither be copied nor made available to third parties or competitor companies without our written permission.