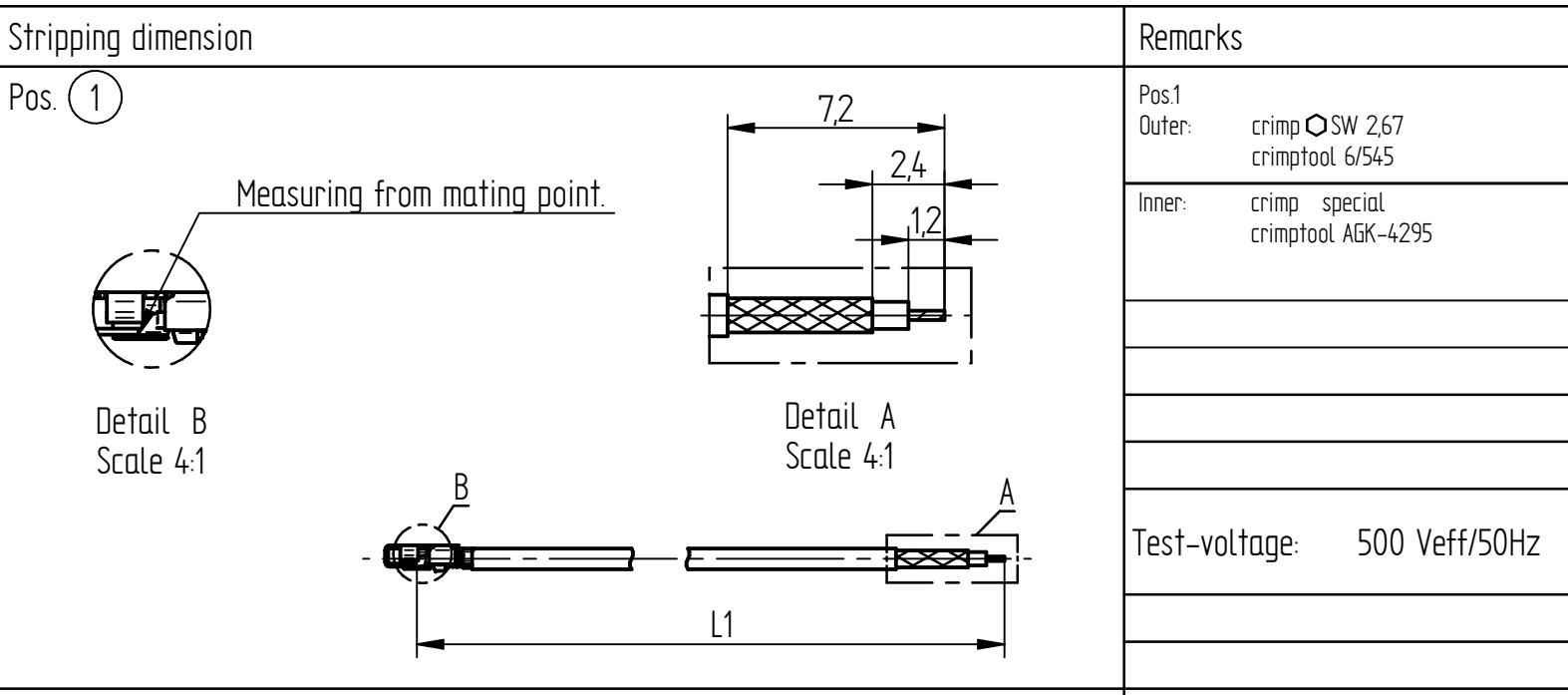


Pos.	Pcs.	Description	Type-No.	Remark
①	1	Cable mount bulkhead jack	5747.02.2314.149 (1080868)	
②	0,5	Cable	I-PEX MHF 4 LK 1,37 L=300 (1142447)	
③				
④				
⑤				
⑥				
⑦				

② Pcs.	Cable	Cable-type	Part No. IMS	Cable-length L1	Lenght L
0,5	K-3263-01	I-PEX MHF 4 LK 1,37 L=300	(1142447)	95,8±1	120±3

No. of cable	Pcs

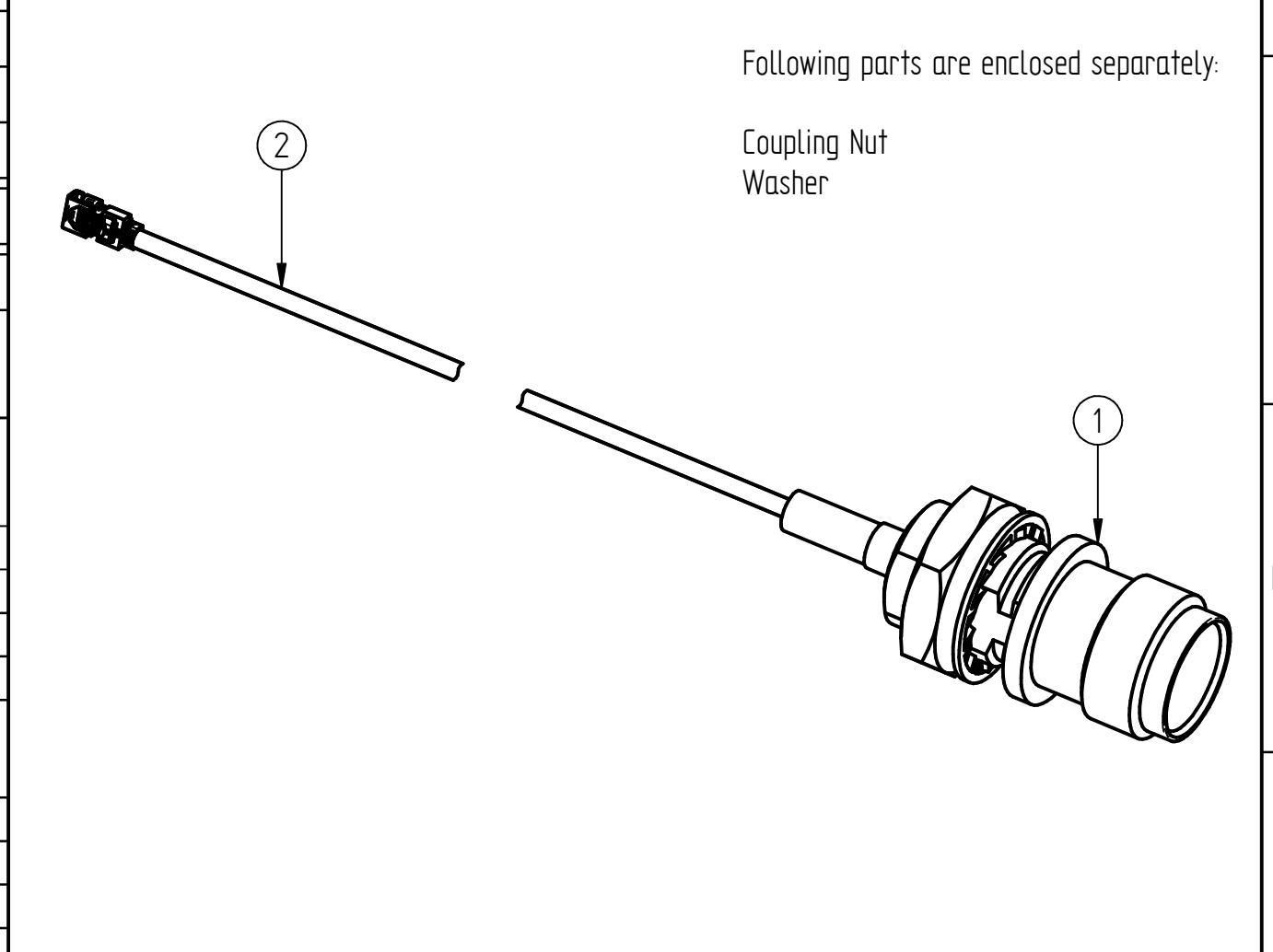
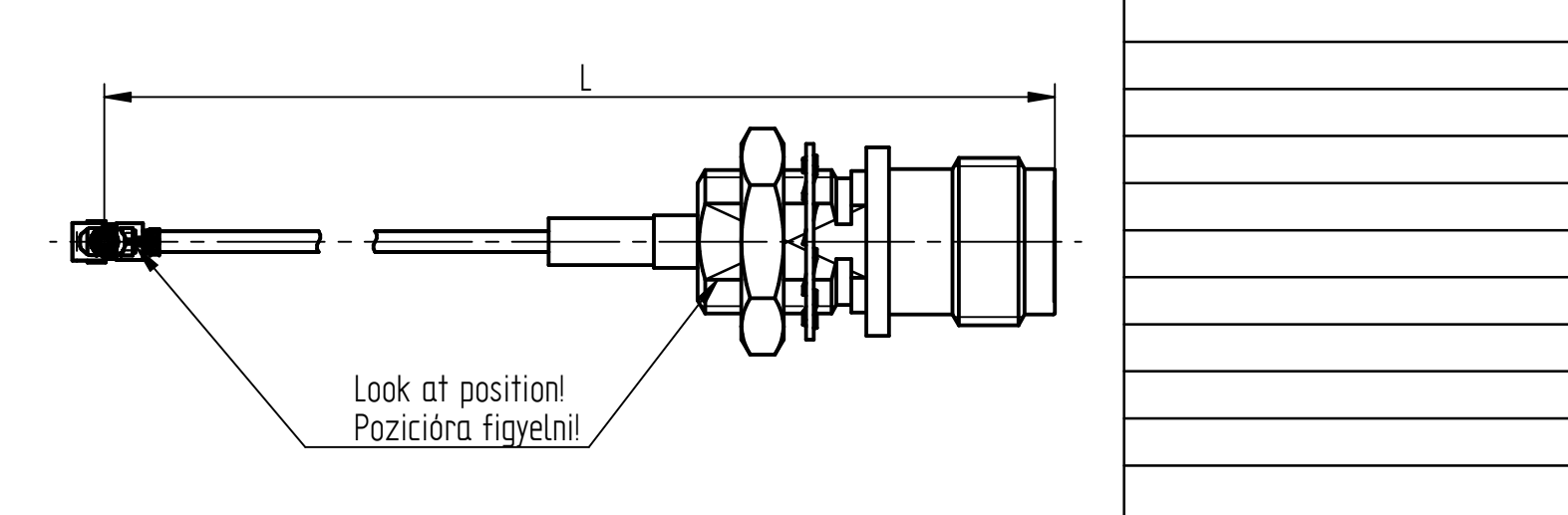


Remarks

Pos.1
Outer: crimp SW 2,67
crimptool 6/545

Inner: crimp special
crimptool AGK-4295

Test-voltage: 500 Veff/50Hz



Change ID	Rev.	Alteration	Date	Name

Revision history

Projection - ISO 5456	Unit system - Metric	General tolerances	Stripping tolerance	Document type
	All dim. in [mm]	ISO 2768 mH	AA-CS-12 <i>HyperLink</i>	Cable assembly drawing
Created by bgręczy	Approved by Pólz / 25.11.21	Title RF-flexible Cable Assembly	Drawing number K-3263-XX	Scale 2:1
IMS CONNECTOR SYSTEMS		Supplementary title HF-Leitung flexibel	Rev. A 01	Date of issue 10.11.2021
			Lang. EN	Sheet 1/1