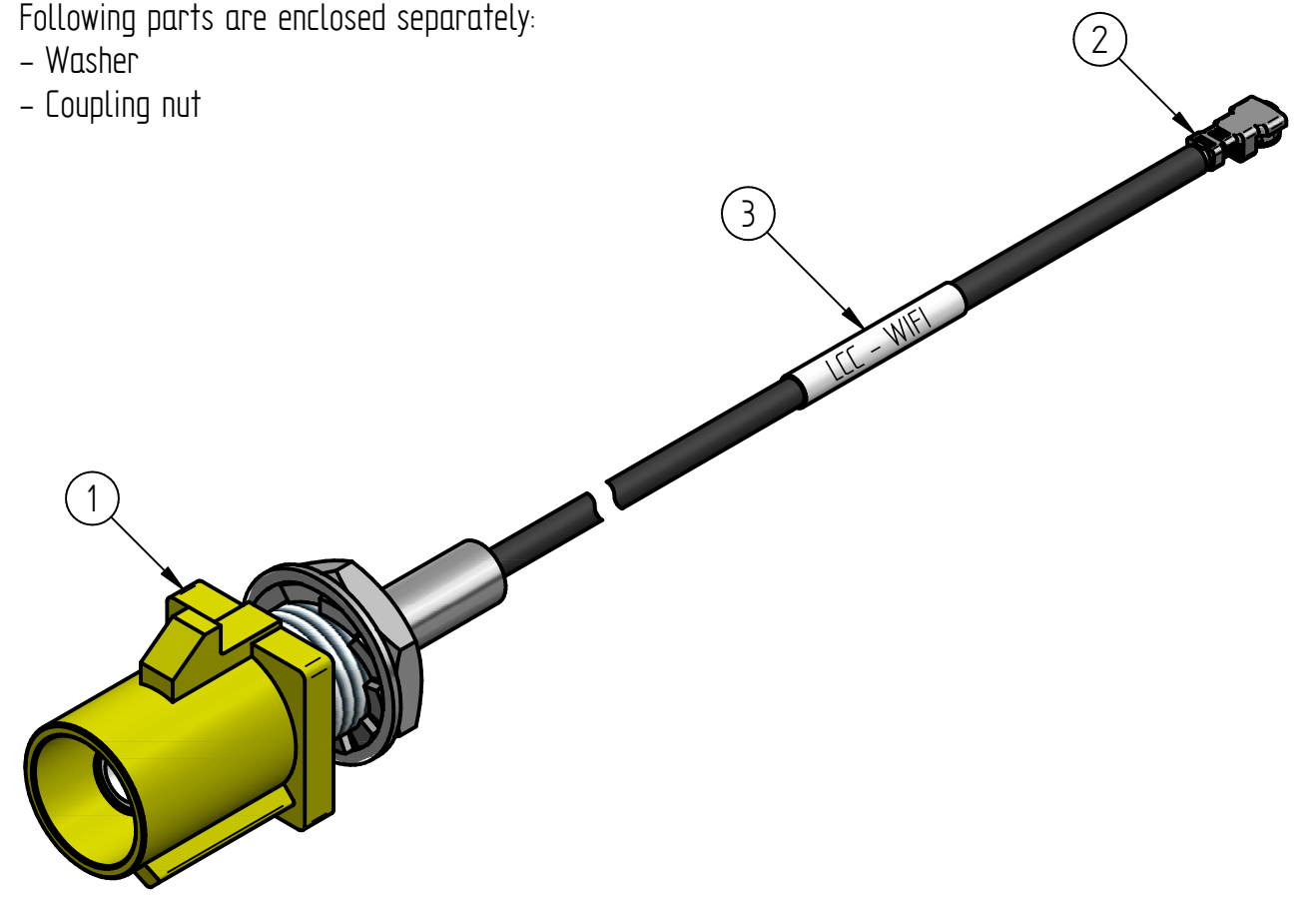


Status: Release

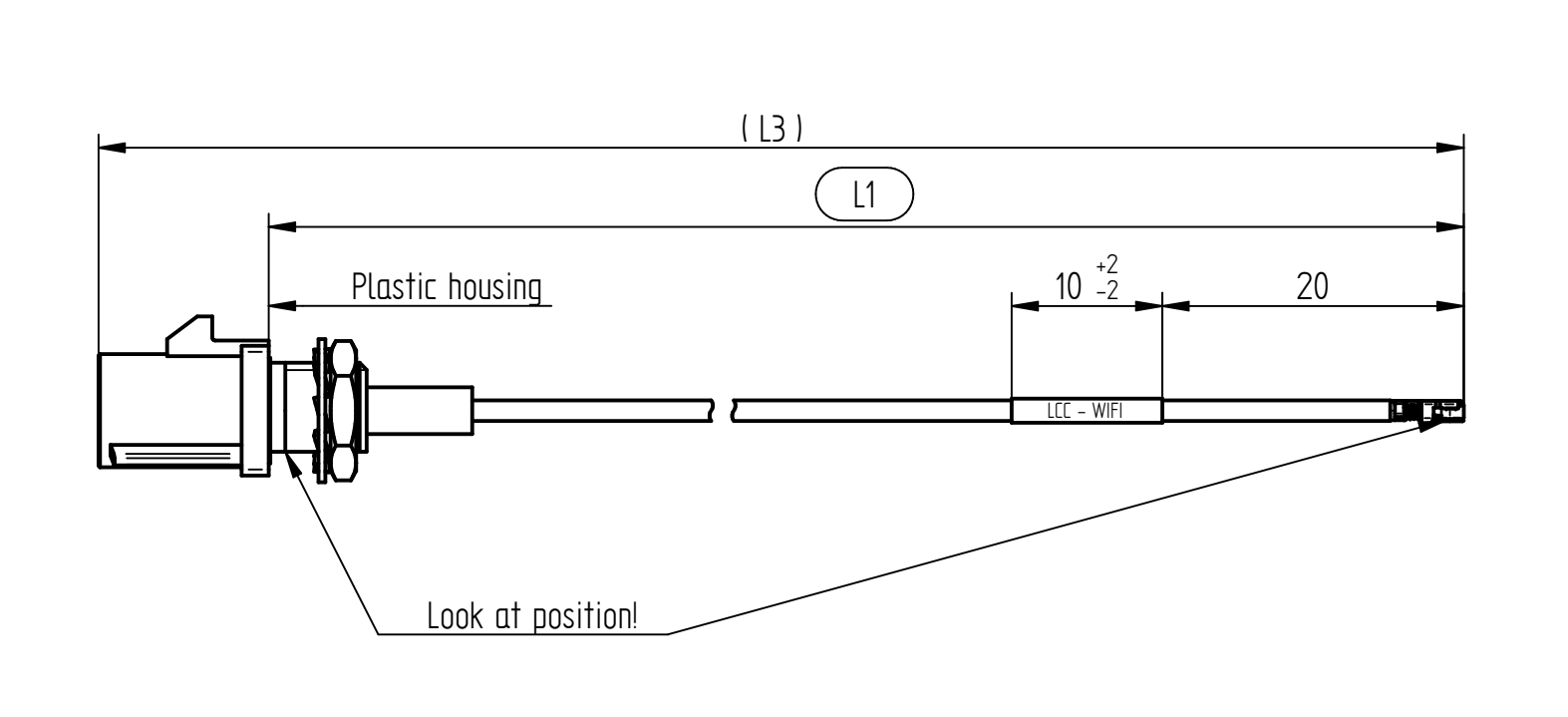
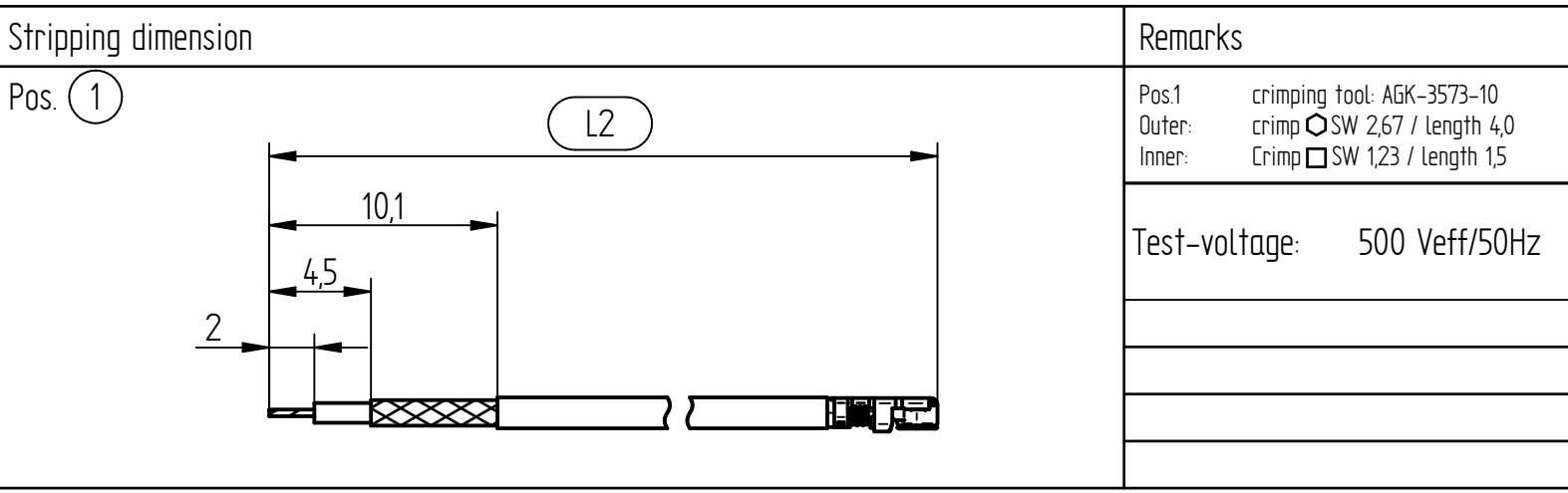
Pos.	Pcs.	Description	Type-No.	Remark
①	1	SMBA (m) - Cable mount plug	5882.SMBA1K10.049 (1083113)	Code: K
②	0,5	Coaxial cable with connector	See chart on the right side!	Plug: 20632-001R-37
③	1	Heat shrink tube	3/1 mm - White (1128556)	Text: LCC - WIFI
④				
⑤				
⑥				
⑦				

② Pcs.	Cable	Cable-type	Part No. IMS	L1	L2	L3
0,5	K-3360-01	IPEX MHF4 L (1,37) L=630 mm	(1143256)	220±2	217,9±1,5	(231,3)

Following parts are enclosed separately:
 - Washer
 - Coupling nut



No. of cable	Pcs



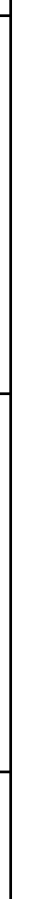
Design	A02	Enclosed part list	03/12/24	fabianko
Change ID	Rev.	Alteration	Date	Name

Revision history				
Projection - ISO 5456	Unit system - Metric	General tolerance	Stripping tolerance	Document type
	ALL dim. in [mm]	ISO 2768 mH	AA-CS-12 <i>HyperLink</i>	Cable assembly drawing
Created by	Approved by	Title	Drawing number	Scale
Fábiánkovits	-	RF-flexible cable assembly	K-3360-XX	2:1
IMS CONNECTOR SYSTEMS		Supplementary title	Rev.	Date of issue
		HF-Leitung flexibel	A 02	13/11/2024
			Lang.	Sheet
			EN	1/1

ISO 16016
 All copyrights reserved. This drawing can neither be copied nor made available to third parties or competitor companies without our written permission.

Status: Release

Following parts are enclosed separately:
 - Washer
 - Coupling nut



Design	A02	Enclosed part list	03/12/24	fabianko
Change ID	Rev.	Alteration	Date	Name

Revision history				
Projection - ISO 5456	Unit system - Metric	General tolerance	Stripping tolerance	Document type
	ALL dim. in [mm]	ISO 2768 mH	AA-CS-12 <i>HyperLink</i>	Cable assembly drawing
Created by	Approved by	Title	Drawing number	Scale
Fábiánkovits	-	RF-flexible cable assembly	K-3360-XX	2:1
IMS CONNECTOR SYSTEMS		Supplementary title	Rev.	Date of issue
		HF-Leitung flexibel	A 02	13/11/2024
			Lang.	Sheet
			EN	1/1

A3